

Power Transistor Test Sockets, High Temperature

T0-247 (4pin)

High Temperature 250°C

Low Outgassing

Features:

This Power Transistor Test Sockets accommodates the T0-247 (4pin) package and can be used in high-temperature environments. And its high-reliability round contacts provide good electrical and mechanical performances.

Specifications

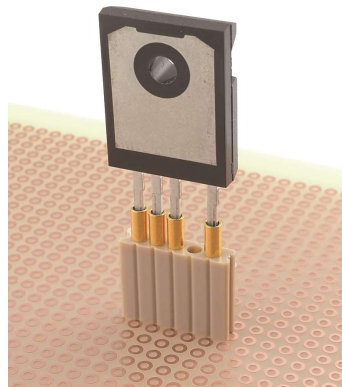
Current Rating : 5.0A max
Contact Resistance : 15mΩ max
Dielectric Strength : DC1200V at 1minute (Between 1 and 2)
Insulator Resistance : 1000MΩ min. DC100V
Operating Temperature : -45°C ~ +250°C

Material

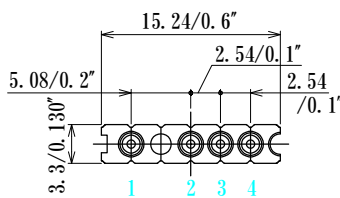
Sleeve : Brass Au over Ni Plated
Contact : High Temperature Copper Alloy
Insulator : High Temperature Thermoplastic UL94V-0

How to order

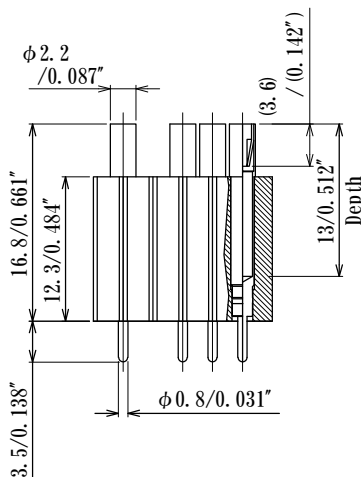
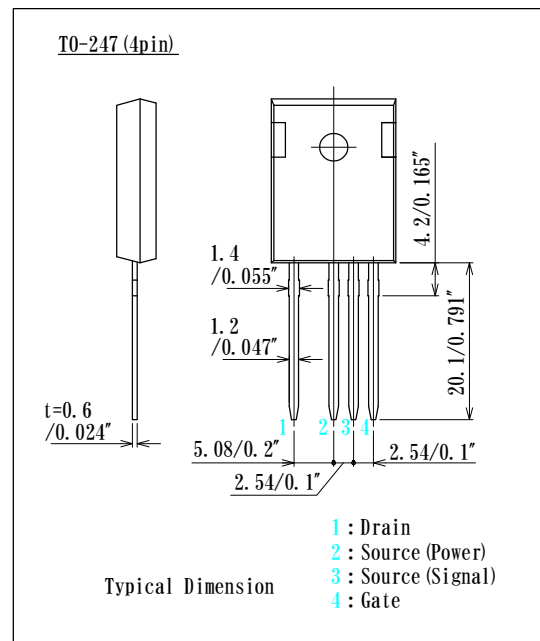
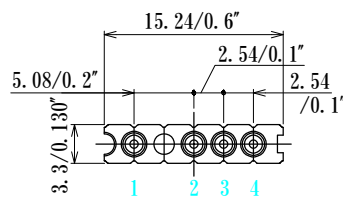
PDSA-NB195-S0504-GG



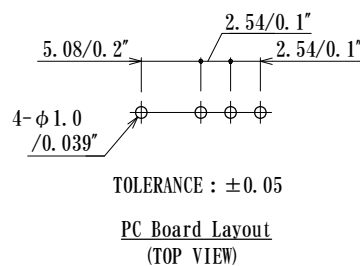
Shape A *



Shape B *



* Because of manufacturing, shape A and shape B are mixed, but the dimensions are the same.



How to use

