

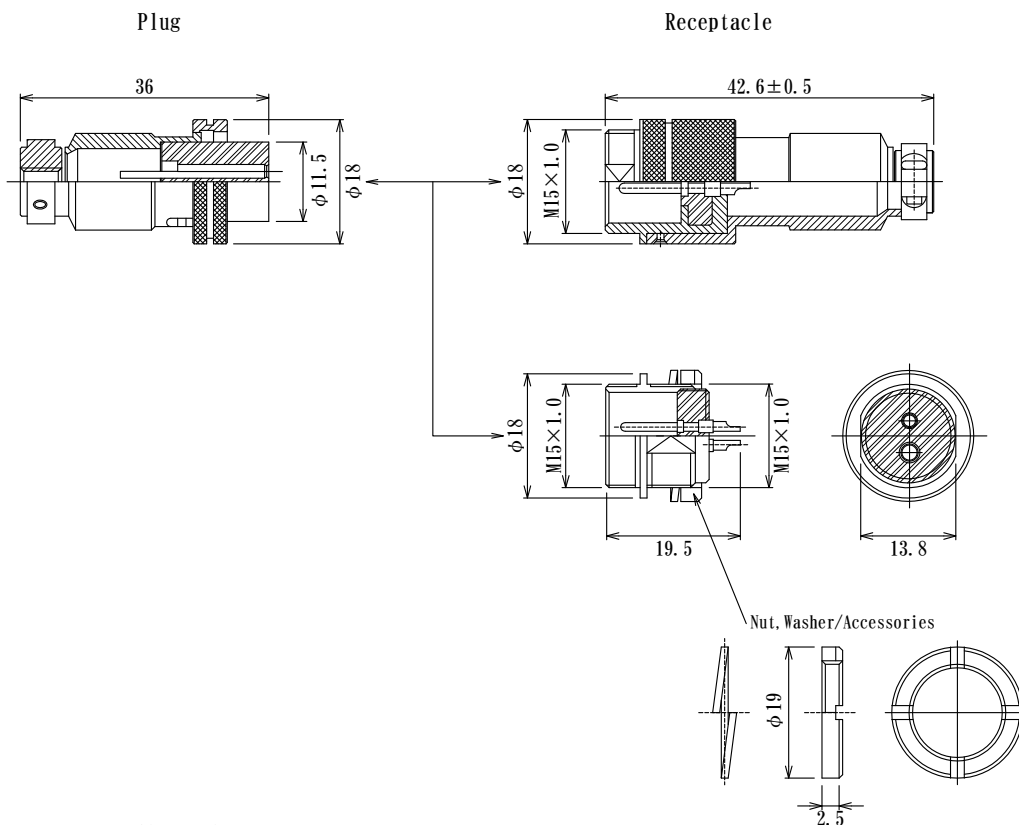
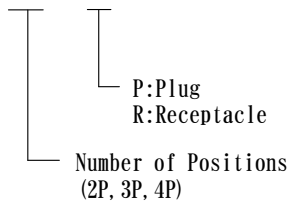
Round type Connectors

Specifications

Dielectric withstanding voltage : 300V
 Current Rating : 1A
 Contact Resistance : 15mΩ max
 Insulation Resistance : 200MΩ min
 Operating Temperature Range : -20°C~+80°C



R15 - 2P - P



Contact Configuration

	2P	3P	4P
Solder Cup Inner dia. mm	1.8/2.3	1.8/2.3	1.5

