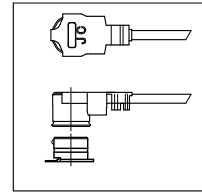


Differential Connectors for PC Board, Snap Lock

Actual Size

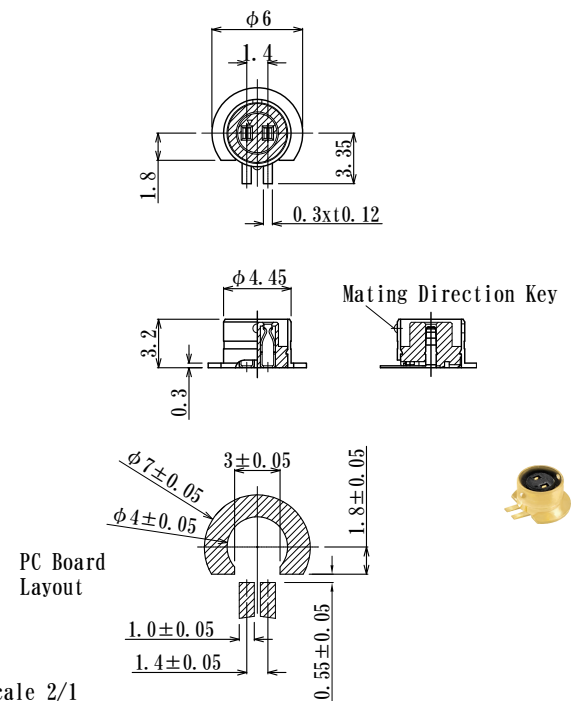
Small Connector with 100Ω matched impedance differential pair.
The differential pair reduces any noise occurred by interference or crosstalk.



Insulation resistance		400MΩ min at DC 100V
Voltage rating		AC 50Vrms max at sea level
Dielectric withstanding voltage		AC 50Vrms at sea level
Temperature range		-40°C~+105°C
Contact durability		less than 25mΩ after 50 matings
Major Material	Shell	Brass
	Insulator	High temperature plastics, low electric permittivity. Black
	Center Contact	Beryllium copper Gold plating over Ni plating

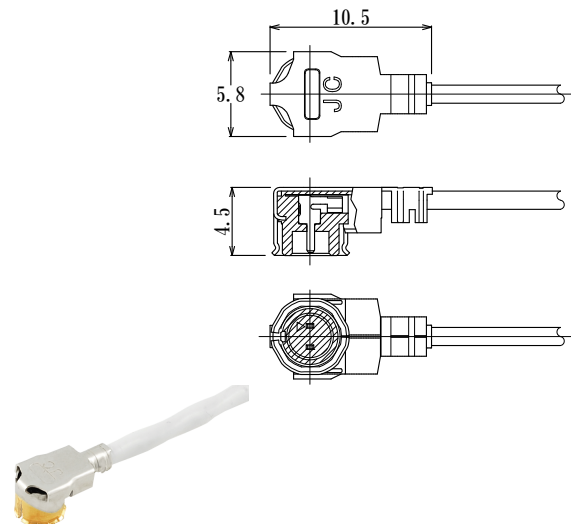
Specifications subject to change without notice.

Receptacle D2BF-R-VT-SMT

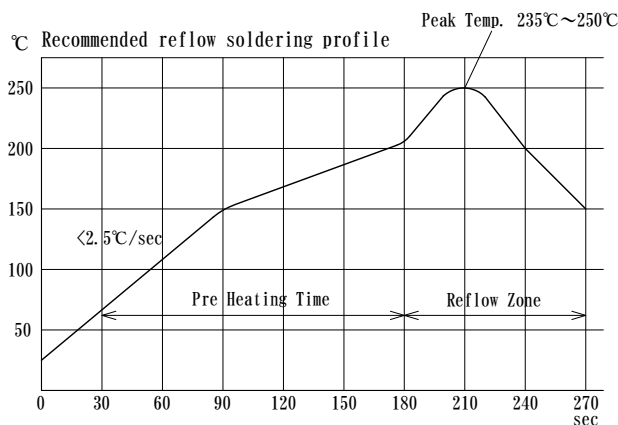


Scale 2/1

Plug D2BF-P-RA-CBL

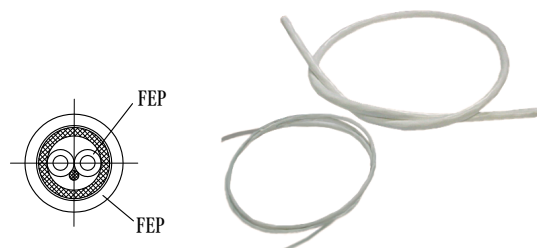


Scale 2/1

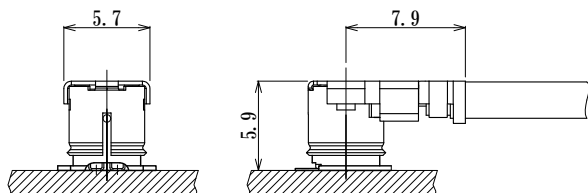


Cable CBL-D2RF-2-FEP

Differential Impedance (Ω)	Outer dia.	Insulator dia.	Sheath Outer Colour
100	2.4/0.0945"	0.8/0.0315" x2	White



Differential Connectors for PC Board



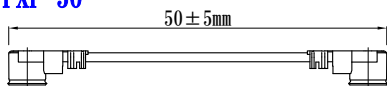
Pull-Out Tool



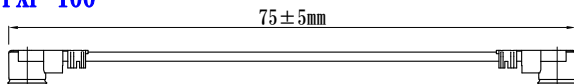
Plug Cabel Assy

Please feel free to contact us about cable.

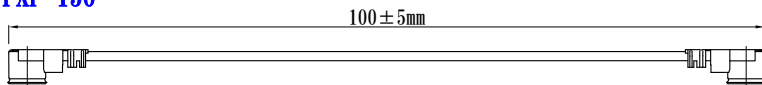
D2BF-PXP-50



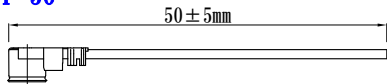
D2BF-PXP-100



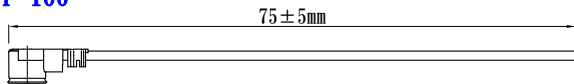
D2BF-PXP-150



D2BF-P-50



D2BF-P-100



D2BF-P-150

