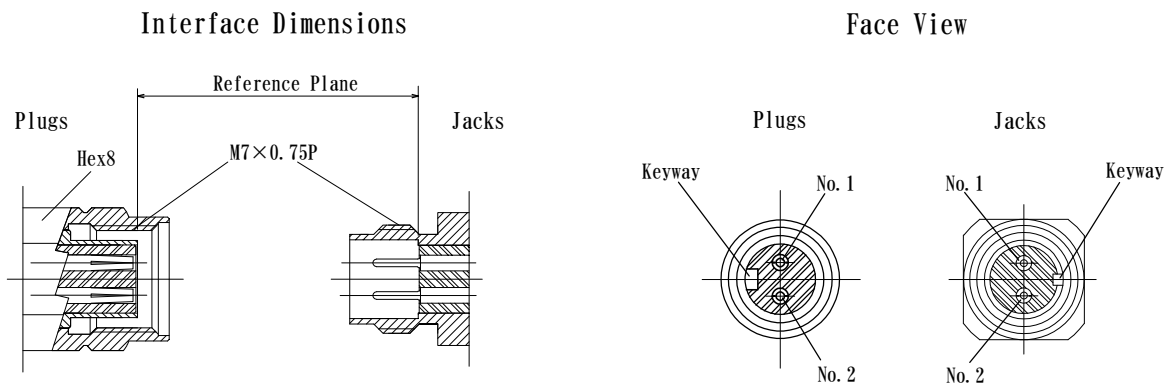


DSM Differential Connectors SMA size

Small size SMA Connector suitable for 100Ω impedance differential pair.
It reduces noise caused by interference or crosstalk.

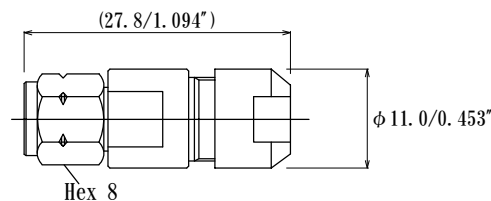
Differential Impedance		100Ω
Insulation Resistance		1000MΩmin at DC 100V
Voltage Rating		AC 30V max at sea level
Dielectric Withstanding Voltage		AC 50Vrms at sea level
Temperature Range		-30℃~+85℃
Contact Durability		less than 10mΩ after 50 matings
Material	Shell	Brass Ni plating
	Insulator	PTFE or high temperature plastics, low electric permittivity
	Center Contact	Beryllium copper Heat treated, Gold plated

Specifications subject would change without notice.



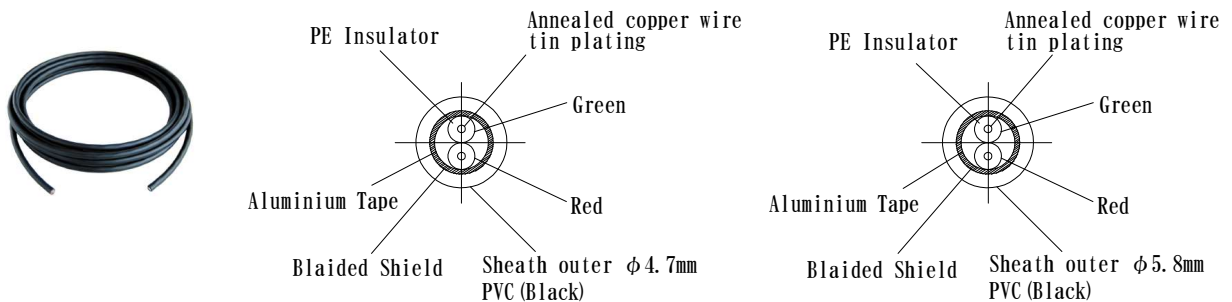
Flexible Cable, Solder Clamp type, Plug

DSMP-CL47
DSMP-CL58
(Clamp type)



Material & Finish : Brass, Ni (Nut:SUS, Passivation)

Applicable Cables

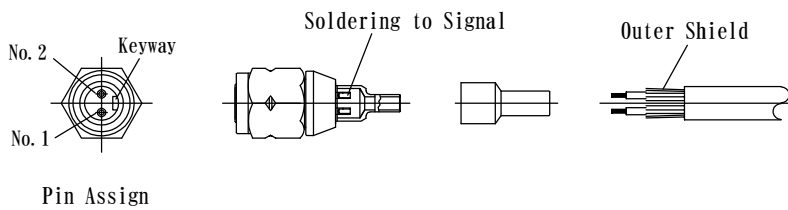
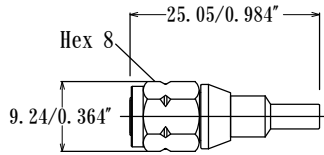


Connector Part No.	Cable Part No.	Dielectric Withstanding Voltage	Temperature Rating	Differential Impedance (Ω)
DSMP-CL47	CBL-2P-DIF-F47	AC 500V 1min	-10℃~+80℃	100±10
DSMP-CL58	CBL-2P-DIF-F58	AC 500V 1min	-10℃~+60℃	110±10

DSM Differential Connectors SMA size

Flexible Cable, Solder Crimp type, Plug

DSMP-CR24

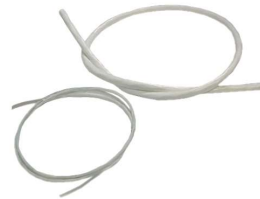
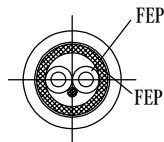


Material & Finish : Brass, Ni (Nut:SUS, Passivation)

Please contact us for the Crimping Tool.

Applicable Cables

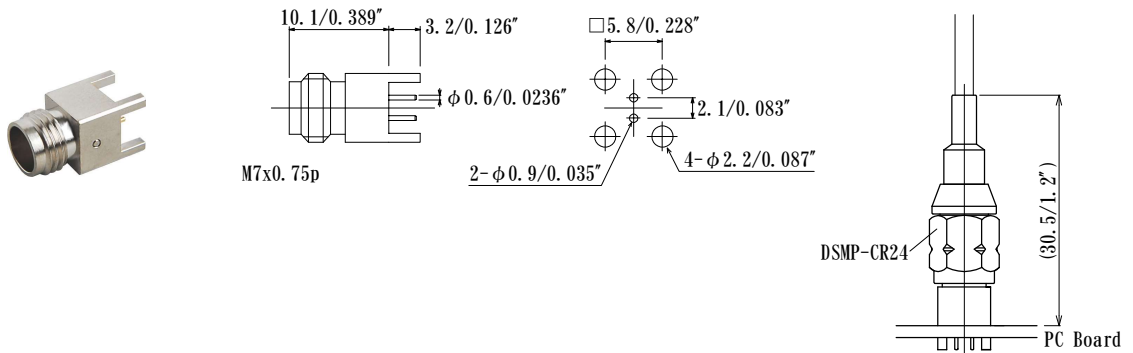
Cable Part No.	Differential Impedance (Ω)	Outer dia.	Insulator dia.	Sheath Outer Colour	UL Style No.
CBL-D2RF-2-FEP	100 \pm 10	2.4/0.0945"	0.8/0.0315" x2	White	20708



DSM Differential Connectors SMA size

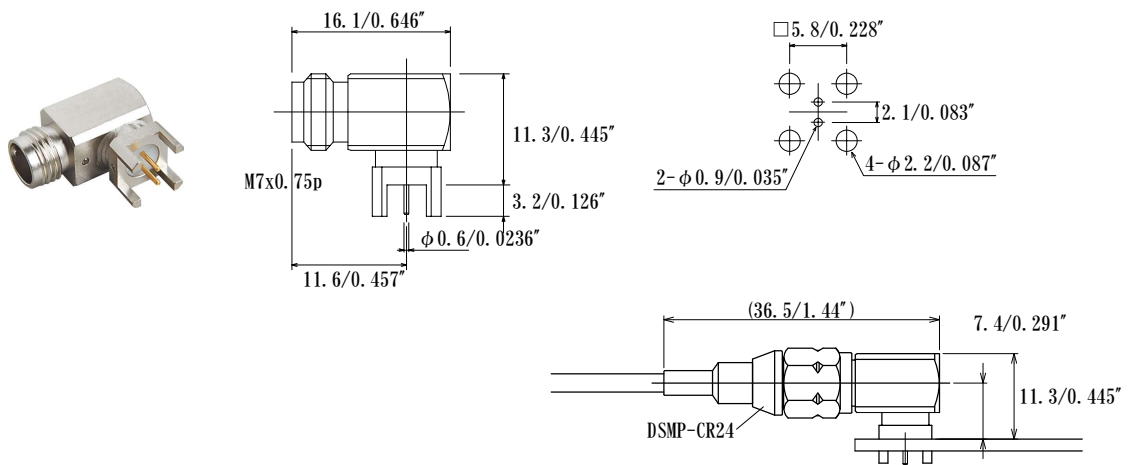
Receptacle, PC Board Mount, Vertical type

DSMR-PC

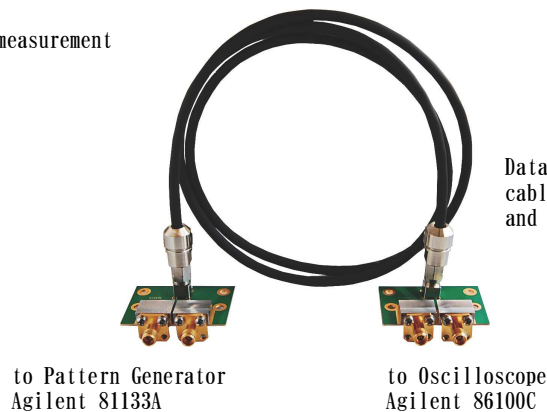


Receptacle, PC Board Mount, Right Angle type

DSMR-L-PC



Electric data measurement



Data includes connectors,
cable (1000mm long)
and PC Board footprint.

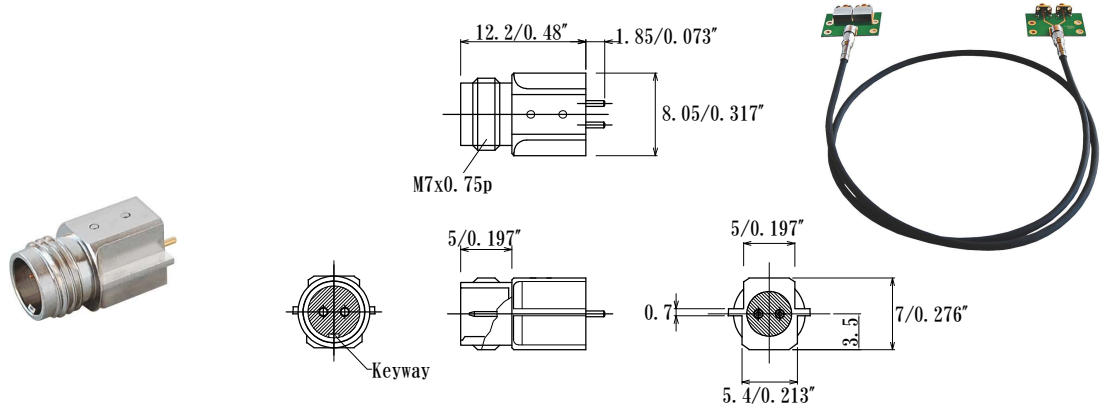
* mark product is made only upon order.

DSM Differential Connectors SMA size

PC Board design is for reference only.
It may depends on the board material,
thickness and other specifications.

Receptacle, End Launch

DSMR-L-END



How to mount

