

## Coaxial Connectors for Sensors, MT series

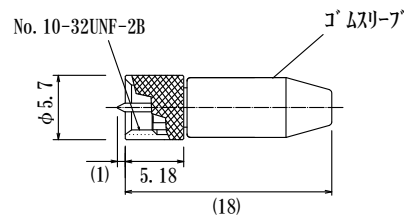
MT series employs a threaded coupling for better mechanical security such as vibration and shock.

|                                 |                                  |  |
|---------------------------------|----------------------------------|--|
| Nominal impedance               | Non Constant                     |  |
| Frequency range                 | DC~200MHz                        |  |
| Contact resistance              | 20mΩ max                         |  |
| Insulation resistance           | 1000MΩ min at DC 500V            |  |
| Dielectric withstanding voltage | AC 500V 1 minute                 |  |
| Temperature range               | -50℃~+150℃                       |  |
| Contact mating force            | 0.49N (50gf) 以上                  |  |
| Contact durability              | less than 30mΩ after 500 matings |  |
| Material                        | Shell                            | Brass, Ni plated or Stainless steel etc    |
|                                 | Coupling nut                     |  |
|                                 | Center Contact                   | Beryllium copper Heat treated, Gold plated |

Specifications may be subject to change without notice.

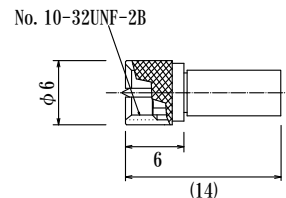
### Plugs

#### MT57P



●Brass, Ni

#### MT58P 防水 IPX7タイプ



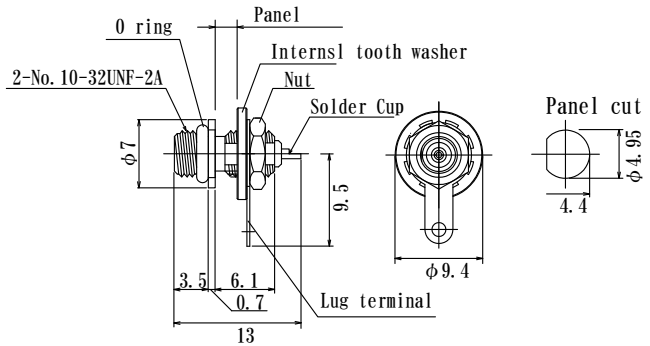
●SUS

\* mark product is made only upon order.

## Coaxial Connectors for Sensors, MT series

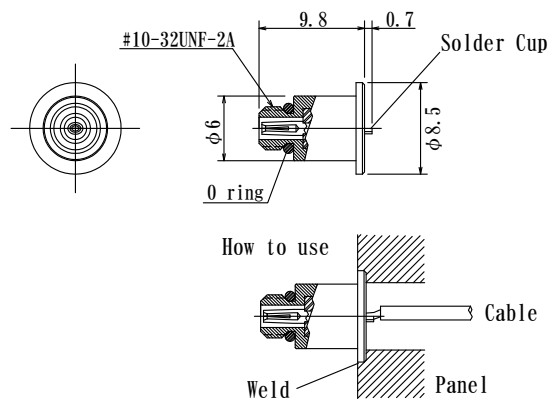
### Jacks

#### MT57J-BRH



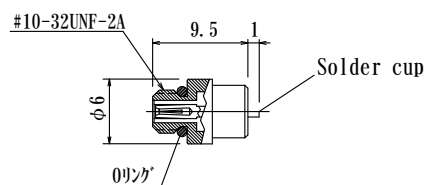
●Brass, Ni

#### MT59J-BRH



●SUS304

#### MT60J-BRH



Call factory about how to use

●SUS304