

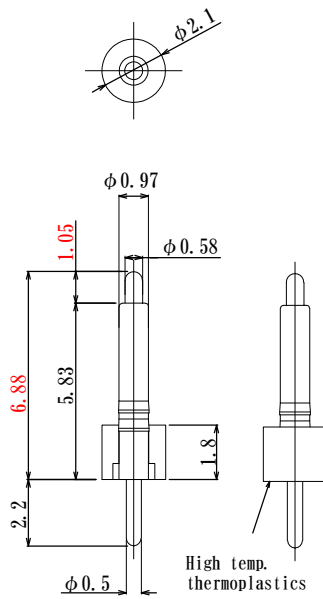
One Pin Probe Pin

2.54mm Pitch min.

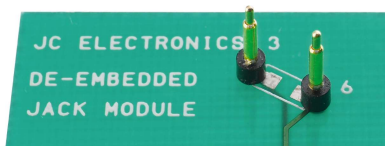
- High reliability Probe Pin providing good electrical and mechanical performance.
- For larger than 2.54mm pitches.
- Useful for inspection and general PCB mounting.
- Your Specific Custom Designs welcome. Call us for details.



PG01-8Y127-H70S12SD

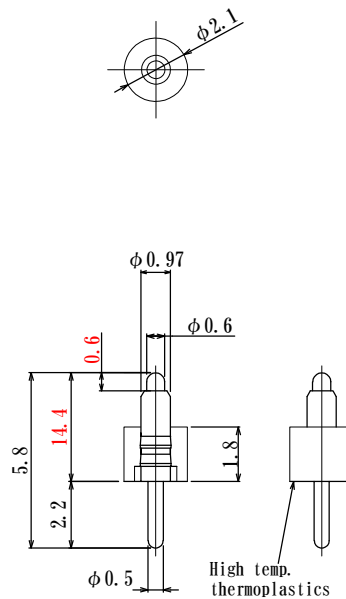


Preload 0.13N (13.6gf)
0.59N (60gf) at 0.85mm travel
Full travel 1.05mm
Current max 1.2A
High Temperature spec
-40 to +150°C

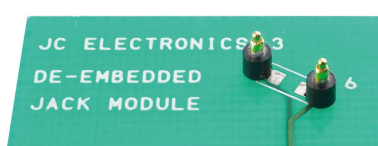


(8Y127-H70S12SD)

PG01-8YN1030G-034BI

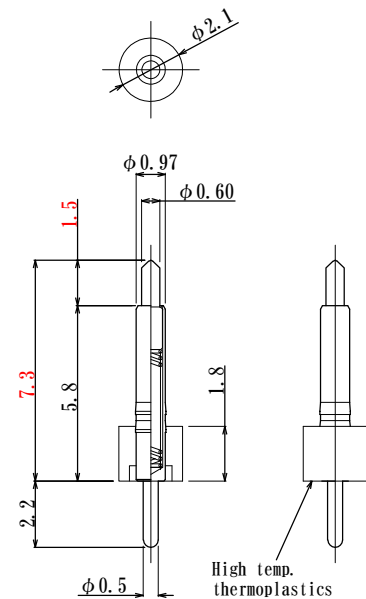


Preload 0.114N (11gf)
0.343N (35gf) at 0.4mm travel
Full travel 0.6mm
Current rating 1.2A
High Temperature spec
-40 to +150°C

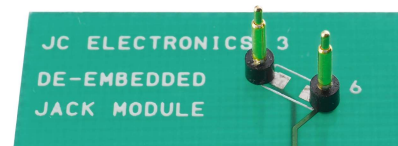


(8YN1030G-034BI)

PG01-8YN1058G



Preload 0.13N (13.6gf)
0.59N (60gf) at 1.0mm travel
Full travel 1.5mm
Current max 1.2A
High Temperature spec
-40 to +150°C



*Made to only upon order



(8YN1058G)