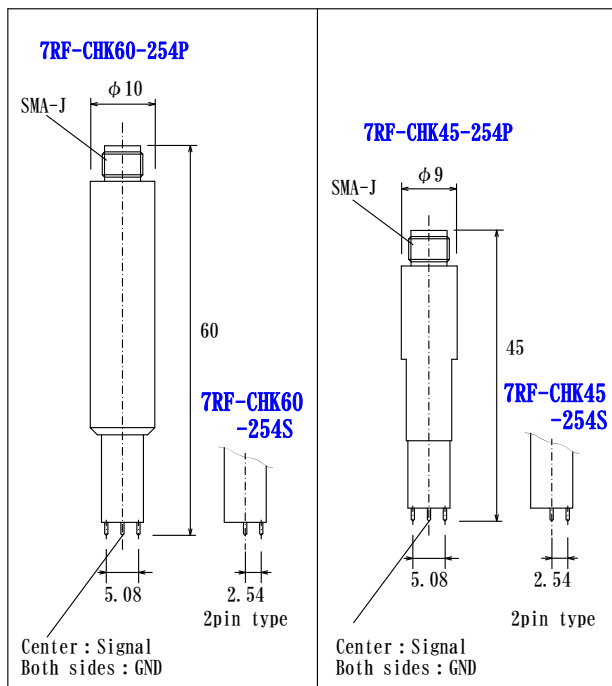


## RF Coaxial Check Probe

### features

- Easily, can be checked the characteristic of PCB.
  - Device and circuit can be verified.
  - No need of design manufacture of a test board.
  - High reliable probe made in JC Electronics is used.
  - A tip can be exchanged, easily.
- The probe for exchange of maintenance is prepared.
- Connection to measuring instrument is easy due to SMA connector out-put.



We can also manufacture SMA cable.

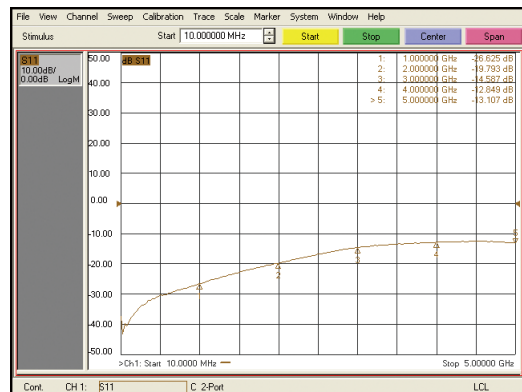
### Specifications

Frequency Range : DC~3GHz  
Impedance : 50Ω  
Temperature Range : 0°C~+50°C

### Materials:

Probe Pin  
Plunger : Beryllium copper, Ni over Gold plated  
Barrel : Brass, Ni over Gold plated  
Spring : Music wire, Ni over Gold plated  
Insulator : PTFE  
Body : Brass, Ni over Gold plated

### Return Loss



### Insertion Loss

