

# Header Plug PC Board Profile H selectable

1.27mm pitch

MOQ 50 pcs

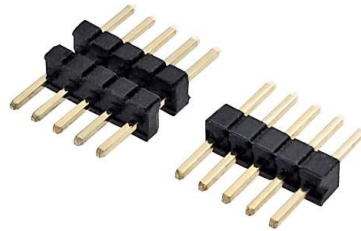
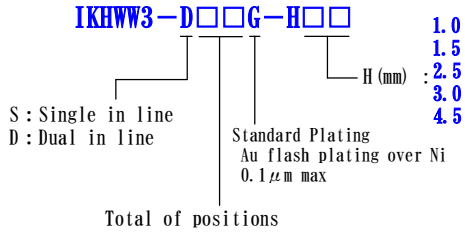
[Specifications]

Maximum current : 1.0A  
Dielectric strength : AC500Vrms 1 minute  
Insulation resistance : 1000MΩ min  
Temperature range : -40°C ~ +105°C

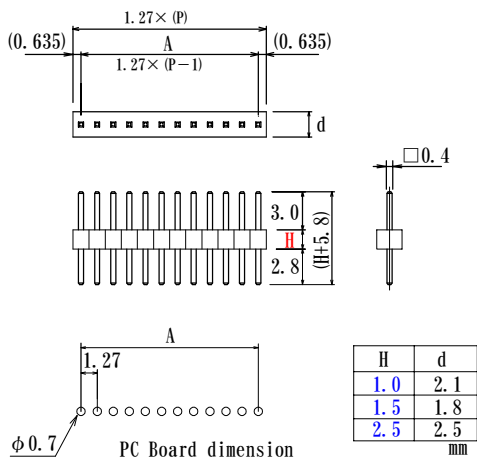
[Materials]

Plug Pin : Brass □0.40mm  
Insulator : PBT Glass etc  
UL94V-0 Black

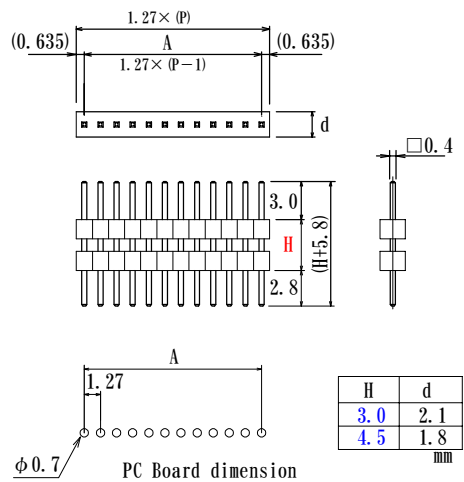
How to order



Single in line H=1.0, 1.5, 2.5mm

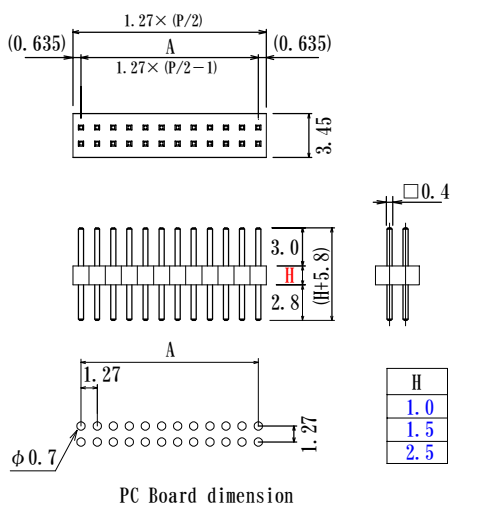


Single in line H=3.0, 4.5mm

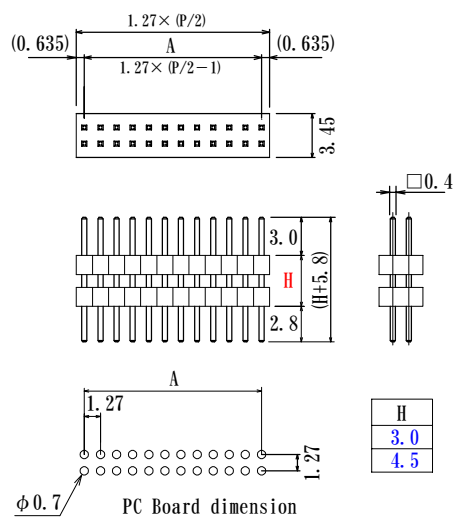


Note<sup>1</sup>

Dual in line H=1.0, 1.5, 2.5mm



Dual in line H=3.0, 4.5mm



Note<sup>1</sup>

P : Number of position

Note<sup>1</sup>: Only could provide the RoHS Directive regulated substance non-use certificate.

# Header Plug PC Board Profile H selectable

1.27mm pitch

MOQ 50 pcs

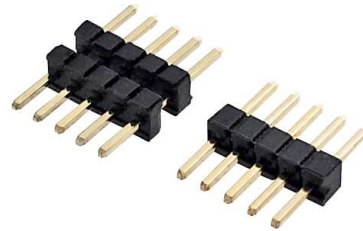
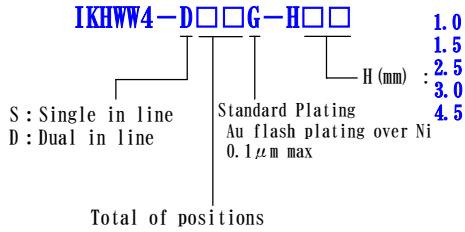
[Specifications]

Maximum current : 1.0A  
Dielectric strength : AC500Vrms 1 minute  
Insulation resistance : 1000MΩ min  
Temperature range : -40℃~+105℃

[Materials]

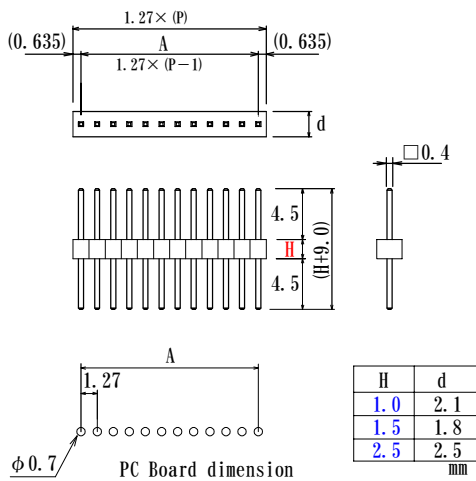
Plug Pin : Brass □0.40mm  
Insulator : PBT Glass etc  
UL94V-0 Black

How to order

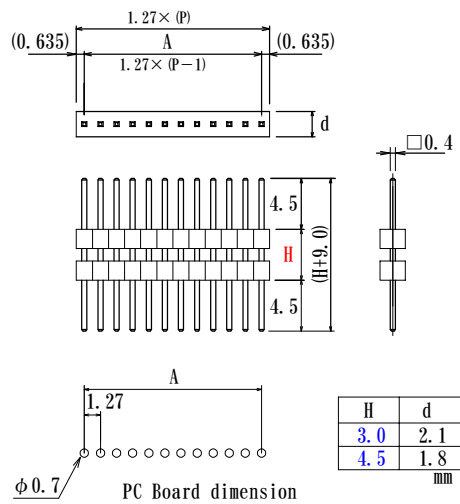


Note<sup>1</sup>

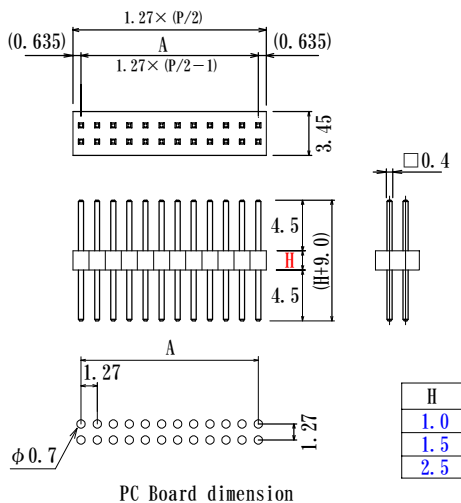
Single in line H=1.0, 1.5, 2.5mm



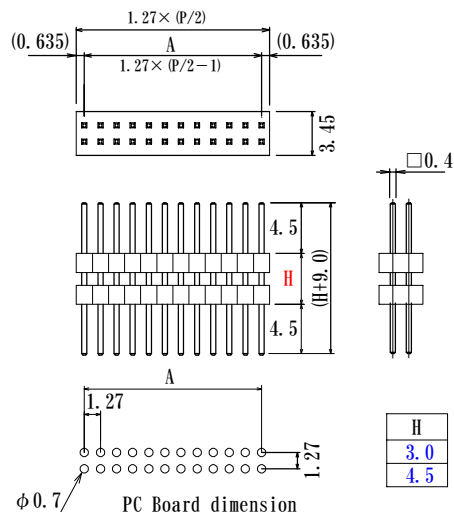
Single in line H=3.0, 4.5mm



Dual in line H=1.0, 1.5, 2.5mm



Dual in line H=3.0, 4.5mm



P : Number of position

Note<sup>1</sup> : Only could provide the RoHS Directive regulated substance non-use certificate.

# Header Plug PC Board Profile H selectable

1.27mm pitch

MOQ 50 pcs

[Specifications]

Maximum current : 1.0A  
Dielectric strength : AC500Vrms 1 minute  
Insulation resistance : 1000MΩ min  
Temperature range : -40℃~+105℃

[Materials]

Plug Pin : Brass □0.40mm  
Insulator : PBT Glass etc  
UL94V-0 Black

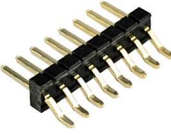
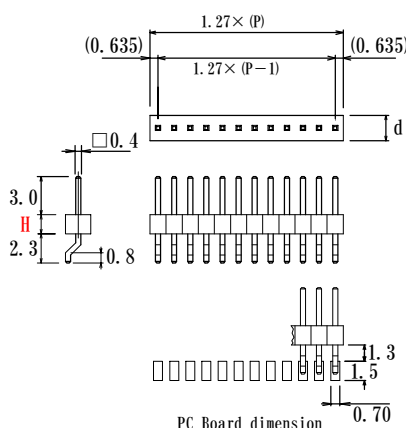
SMT Single in line H=1, 1.5mm

How to Order  
**IKHL3-S□□G-H1.5**

H (mm) : **1.0**  
**1.5**

Standard Plating  
Au flash plating over Ni  
0.1μm max

Total of positions

H	d
1.0	2.1
1.5	1.8

mm


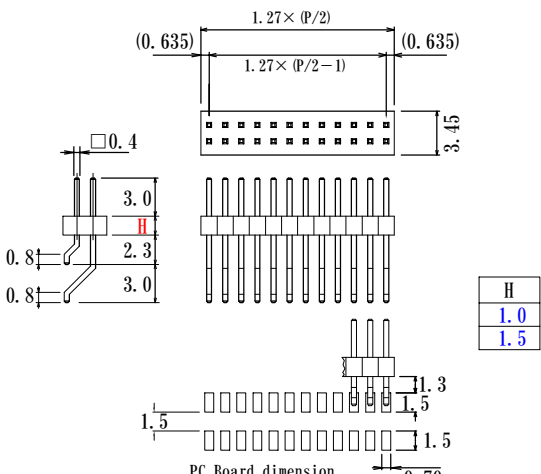
SMT Dual in line H=1, 1.5mm

How to Order  
**IKHL3-D□□G-H1.5**

H (mm) : **1.0**  
**1.5**

Standard Plating  
Au flash plating over Ni  
0.1μm max

Total of positions

H	d
1.0	2.1
1.5	1.8

mm


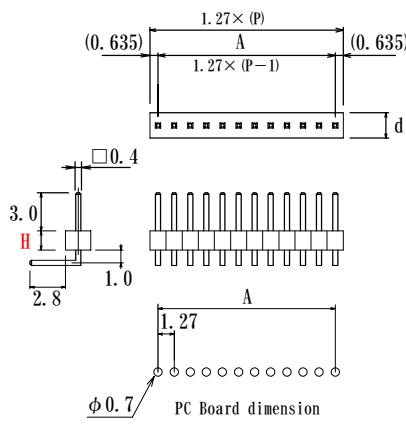
Right Angle Single in line H=1, 1.5mm

How to Order  
**IKHR3-S□□G-H1.5**

H (mm) : **1.0**  
**1.5**

Standard Plating  
Au flash plating over Ni  
0.1μm max

Total of positions

H	d
1.0	2.1
1.5	1.8

mm


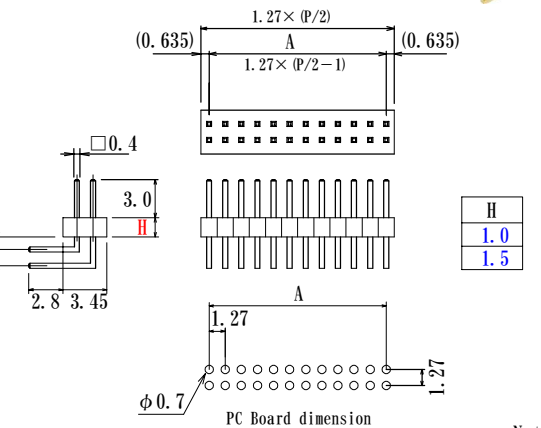
Right Angle Dual in line H=1, 1.5mm

How to Order  
**IKHR3-D□□G-H1.5**

H (mm) : **1.0**  
**1.5**

Standard Plating  
Au flash plating over Ni  
0.1μm max

Total of positions

H	d
1.0	2.1
1.5	1.8

mm

Note<sup>1</sup>

P : Number of position

Note<sup>1</sup>: Only could provide the RoHS Directive regulated substance non-use certificate.

# Header Plug PC Board Profile H Selectable

1.27mm pitch

MOQ 50 pcs

[Specifications]

Maximum Current : 1.0A  
Dielectric Strength : AC500Vrms 1 minute  
Insulation Resistance : 1000MΩ min  
Temperature Range : -40°C ~ +105°C

[Materials]

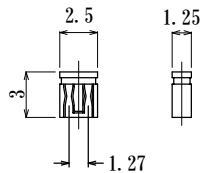
Plug Pin : Brass □0.40mm  
Insulator : PBT Glass etc  
UL94V-0 Black

<p><b>SMT</b> How to order</p> <p><b>IKHSM28-S□□G-H2.0</b></p> <p style="margin-left: 100px;">H (mm) : <b>1.4</b> <b>2.0</b></p> <p style="margin-left: 100px;">Standard Plating Au flash plating over Ni 0.1μm max</p> <p style="margin-left: 100px;">Total of positions</p> <table border="1" style="margin-left: 100px;"> <tr><th>H</th><th>d</th></tr> <tr><td>1.4</td><td>2.1</td></tr> <tr><td>2.0</td><td>1.8</td></tr> </table> <p style="margin-left: 100px;">PC Board dimension</p>	H	d	1.4	2.1	2.0	1.8	<p><b>SMT</b> How to order</p> <p><b>IKHSM28-D□□G-H2.0</b></p> <p style="margin-left: 100px;">H (mm) : <b>1.5</b> <b>2.0</b></p> <p style="margin-left: 100px;">Standard Plating Au flash plating over Ni 0.1μm max</p> <p style="margin-left: 100px;">Total of positions</p> <table border="1" style="margin-left: 100px;"> <tr><th>H</th></tr> <tr><td>1.5</td></tr> <tr><td>2.0</td></tr> </table> <p style="margin-left: 100px;">PC Board dimension</p>	H	1.5	2.0
H	d									
1.4	2.1									
2.0	1.8									
H										
1.5										
2.0										

How to order

**HSB-JB-G**

Au plating over Ni



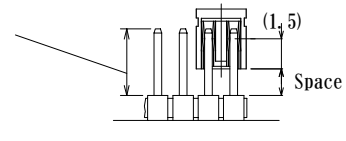
[Specifications]

Maximum Current : 1.0A  
Dielectric Strength : AC500Vrms 1 minute  
Insulation Resistance : 1000MΩ min  
Temperature Range : -40°C ~ +105°C

[Materials]

Socket : Phosphor bronze  
Insulator : PBT Glass etc  
UL94V-0 black

Pin Length  
1.6~2.6mm



Note<sup>1</sup>

P : Number of position

Note<sup>1</sup>: Only could provide the RoHS Directive regulated substance non-use certificate.

# Header Socket, Single/Dual in Line

1.27mm pitch

MOQ 50 pcs

[Specifications]

Maximum current : 1.0A  
Dielectric strength : AC300Vrms  
Insulation resistance : 1000MΩ min  
Contact resistance : 20mΩ max  
Temperature range : -40°C~+105°C

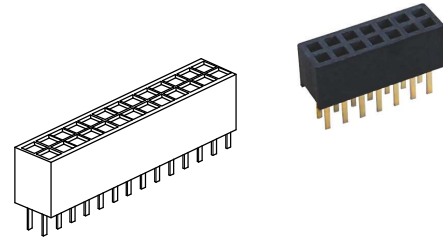
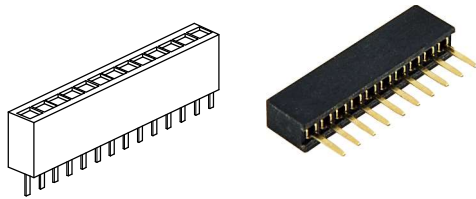
[Materials]

Plug Pin : Phosphor Bronze  
Au flash plating over Ni  
Insulator : Polyester UL94V-0

Max processing temperature  
230°C for 60second, 260°C for 10second

Number of positions  
can be specified

Number of positions  
can be specified



**HSHW-S□□G-T34**

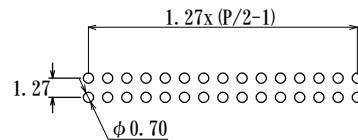
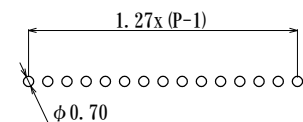
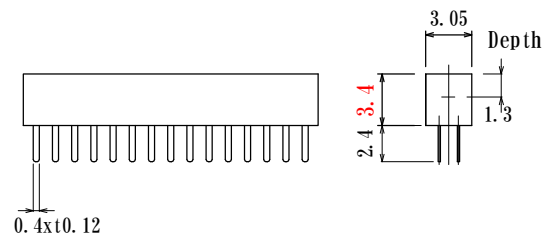
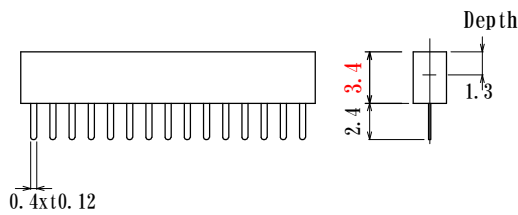
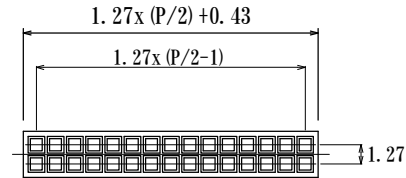
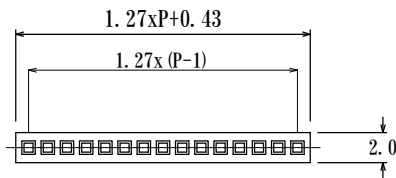
**HSHW-D□□G-T34**

S : Single in line  
straight

D : Dual in line  
straight

Number of positions : P  
Single in line : 4~20

Number of positions : P  
Dual in line : 6~40  
(2x3~2x20)



PC Board dimension

PC Board dimension

Note<sup>1</sup>

Note<sup>1</sup>

P : Number of position

Note<sup>1</sup>: Only could provide the RoHS Directive regulated substance non-use certificate.

# Header Socket, Dual in Line

1.27mm pitch

MOQ 50 pcs

[Specifications]

Maximum current : 1.0A  
Dielectric strength : AC300Vrms  
Insulation resistance : 1000MΩ min  
Contact resistance : 20mΩ max  
Temperature range : -40°C~+105°C

[Materials]

Plug Pin : Phosphor Bronze  
Au flash plating over Ni  
Insulator : Polyester UL94V-0

Max processing temperature  
230°C for 60second, 260°C for 10second

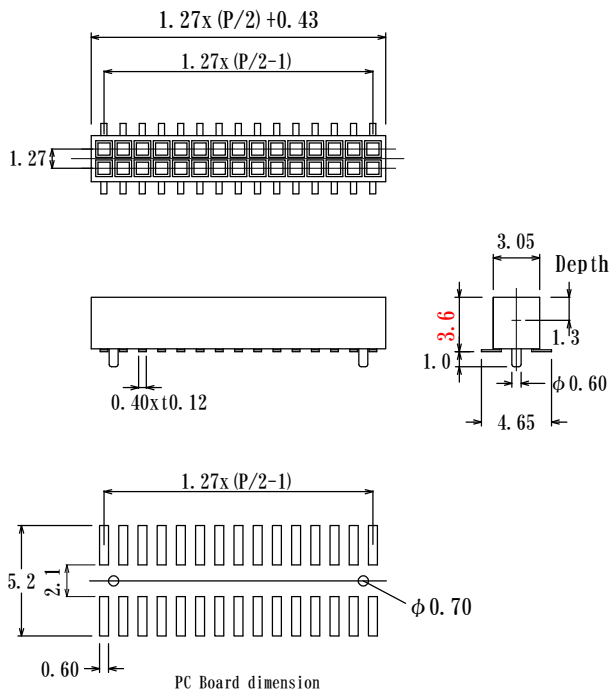
Number of positions  
can be specified



**HSHMW-D□□G-T36**

D : Dual in line  
straight

Number of positions : P  
Dual in line : 6~40  
(2x3~2x20)



Note<sup>1</sup>





P : Number of position

Note<sup>1</sup>: Only could provide the RoHS Directive regulated substance non-use certificate.

## Header Plugs & Sockets Mating Dimension List

1.27mm pitch

The chart showing the height (length) when the Header Plug and the socket are assemble together. Please refer to this chart when determine the Part Number.

		Page	12H5	12H5	12H5	12H6
			<b>HSW-S□□-T34</b>	<b>HSW-D□□-T34</b>	<b>HSMW-D□□-T36</b>	<b>HSMW-DB□□-T36</b>
		<b>H</b>	3.4	3.4	3.6	3.6
						
Page	12H1	<b>H</b>				
		1.0	4.4	4.4	4.6	4.6
		1.5	4.9	4.9	5.1	5.1
		2.5	5.9	5.9	6.1	6.1
		3.0	6.4	6.4	6.6	6.6
		4.5	7.9	7.9	8.1	8.1
		1.0	4.4	4.4	4.6	4.6
		1.5	4.9	4.9	5.1	5.1
		2.5	5.9	5.9	6.1	6.1
		3.0	6.4	6.4	6.6	6.6
		4.5	7.9	7.9	8.1	8.1
		1.0	(4.4)	(4.4)	(4.6)	(4.6)
		1.5	(4.9)	(4.9)	(5.1)	(5.1)
		1.0	(4.4)	(4.4)	(4.6)	(4.6)
		1.5	(4.9)	(4.9)	(5.1)	(5.1)
		1.4	4.8	4.8	5.0	5.0
		1.5	4.9	4.9	5.1	5.1
		2.0	5.4	5.4	5.6	5.6

# SFH Series Sockets

1.27mm pitch

### Specifications

Current rating : 125V  
 Maximum current : 1.2A  
 Dielectric strength : AC125Vrms 1 minute  
 Insulation resistance : 500MΩ min  
 Temperature range : -40°C ~ +105°C

### Materials

Socket : Brass Gold plating  
 Insulator : PBT Glass etc  
 UL94V-0 black

### SMT Type

Reinforcement Double Ended Solder Dip

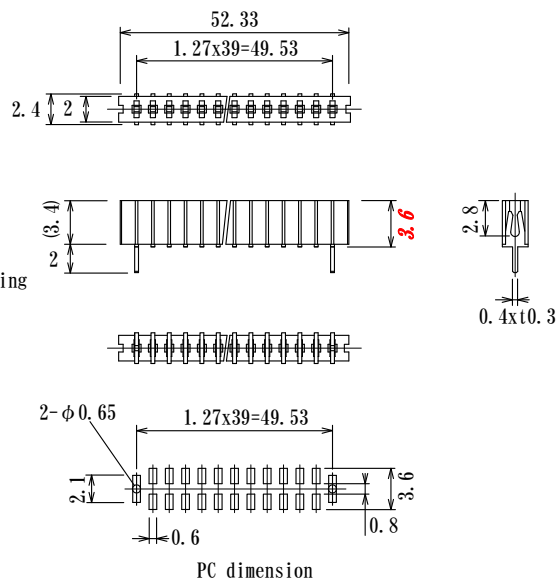
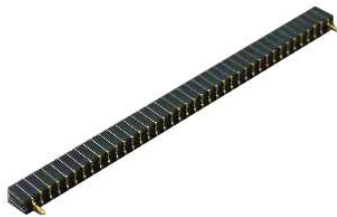
How to order

**SFHY-S 40 G-T34N**

S : Single in line

Standard Plating  
 Gold flash over Ni plating

Total number of positions



### SMT Type

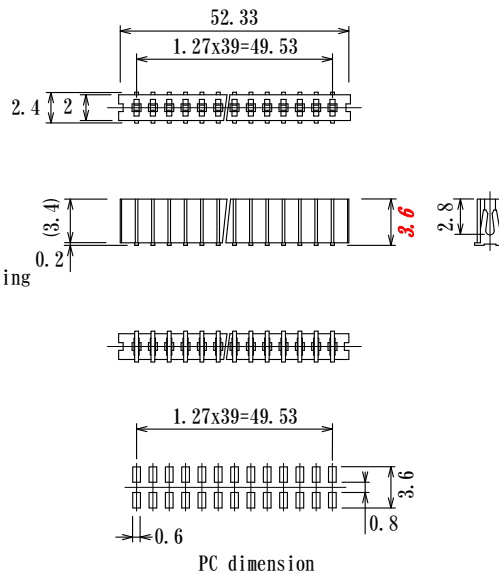
How to order

**SFHM-S 40 G-T34N**

S : Single in line

Standard Plating  
 Gold flash over Ni plating

Total of number positions



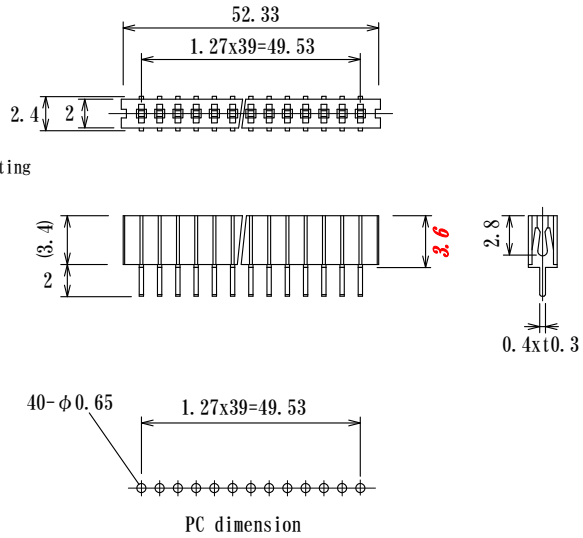


# SFH Series Socket

1.27mm pitch

## Solder Dip Type

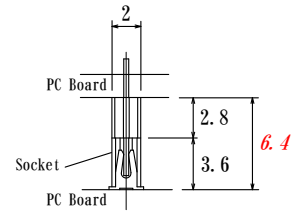
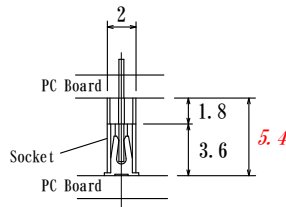
How to order  
**SFH-S 40 G-T34N**  
 S: Single in line  
 Total number of positions  
 Standard Plating  
 Gold flash over Ni plating



## Mating configuration/Board space

Plug  
 Insulator : T=1.8

Plug  
 Insulator : T=2.8



# IPHシリーズ プラグ

1.27mm pitch

- Usable for connecting two PC board.
- Usable plug pin for hybrid IC.
- Fit to SFH series sockets.

### Specifications

Current rating : 125V  
Maximum current : 1A  
Dielectric strength : AC250Vrms 1 minute  
Insulation resistance : 500MΩ min  
Temperature range : -40°C~+105°C

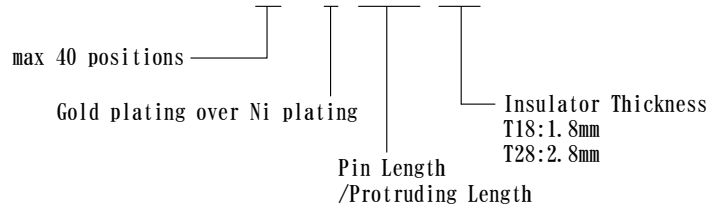
### Materials

Socket : Brass Gold plating  
Insulator : PPS or LCP etc  
UL94V-0 black

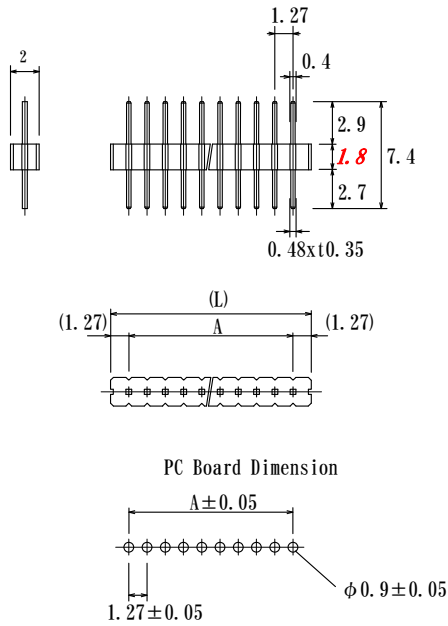


### How to order

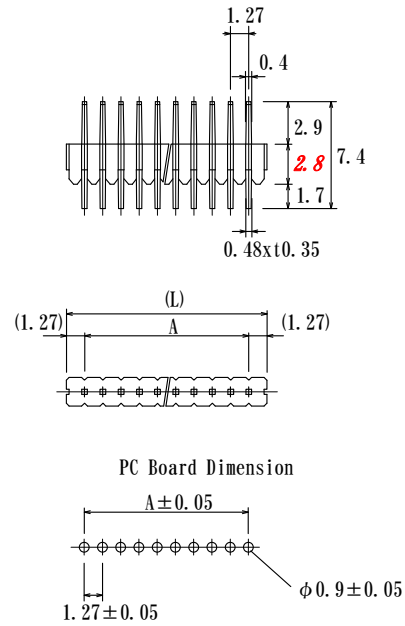
**IPH-S40G-G 74/29-T18**



Insulator Thickness  
T18:1.8mm



Insulator Thickness  
T28:2.8mm



### Mating configuration/Board space

Insulator : T=1.8

Insulator : T=2.8

