

## IC Sockets

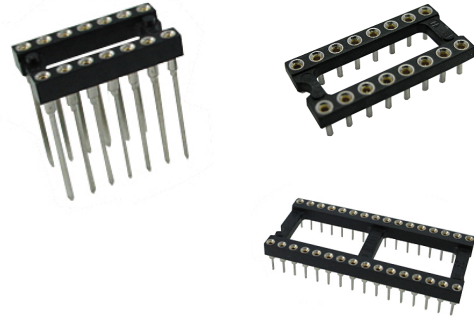
2.54mm pitch

### Specifications

Contact resistance : 15mΩ max  
Rating current : 1.3A  
Temperature range : -55℃~+150℃  
(in case of gold plating)

### Materials

Sleeve : Brass, gold plating over Ni plating  
Contact : Beryllium copper, gold plating over Ni plating  
Insulator : LCP, PPS, or PBT glass filled  
black UL94V-0

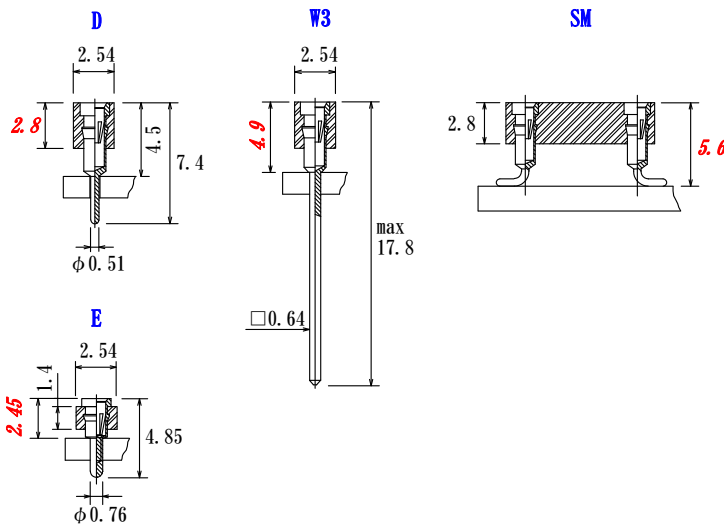
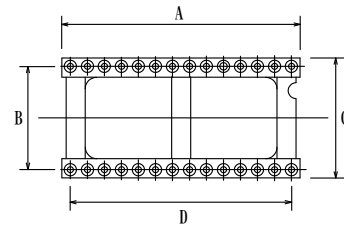


### J286 D - G T

see code table

plating of sleeve  
plating of contact

Socket pin style  
D, E, W3, SM



Code	Number of pins	A	B	Cmax	D
J083	8	10.13	7.62	10.16	2.54x3=7.62
J143	14	17.75			2.54x6=15.24
J163	16	20.29			2.54x7=17.78
J183	18	22.83			2.54x8=20.32
J203	20	25.37			2.54x9=22.86
J223	22	27.91	10.16	12.70	2.54x10=25.40
J243	24	30.45			2.54x11=27.94
J224	22	27.91	15.24	17.78	2.54x10=25.40
J246	24	30.45	2.54x11=27.94		
J286	28	35.53	2.54x13=33.02		
J326	32	40.61	2.54x15=38.10		
J406	40	50.77	2.54x19=48.26		
J426	42	53.31	2.54x20=50.80		

## Short jumper pin

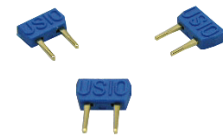
2.54mm pitch

### Specifications

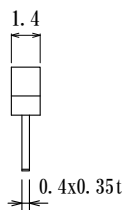
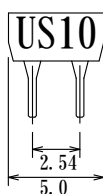
temperature range : -40℃~+125℃  
Applicable socket pin : J series, N series etc

### Material

Plugpin : Brass, gold plating over Ni plating  
Insulator : PBT glass filled UL94V-0, blue



P/N US10



How to use

