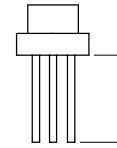


## Custom-Made Socket for Laser Diode

Our Custom-Made Socket for Laser Diode accommodates special demand of pin arrangement and pin diameter. Please feel free to contact us for more information.  
Sockets on this page are examples of custom-made sockets.

\*Acceptable Lead length\* described on this page is the dimension of the lead part of laser diode. (Refer the figure below)



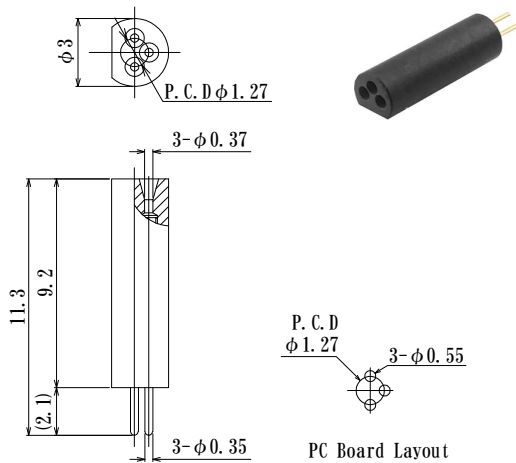
Acceptable Lead length

Acceptable Lead Dia.  $\phi 0.35 \sim 0.21 / \phi 0.0137'' \sim 0.0083''$

3pin

### LD127P-3P-F3L113

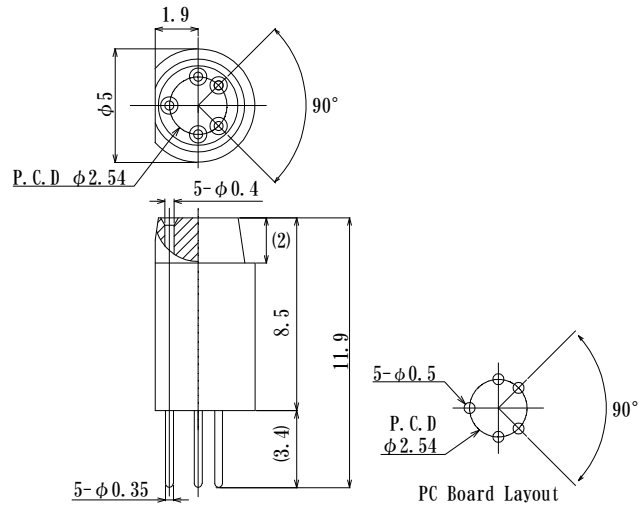
Dielectric Strength: AC50Vrms 1min  
Acceptable Lead length: 4.0~6.5/0.157''~0.256''



5pin

### LD254P-5P-H85

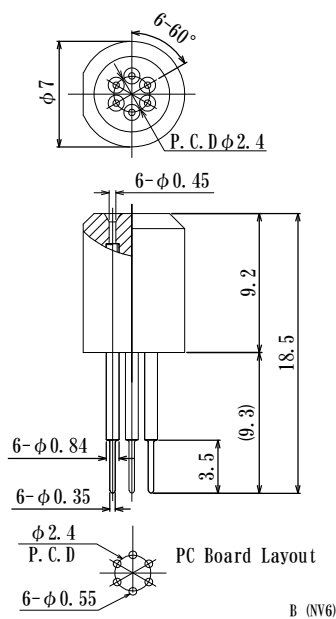
Dielectric Strength: AC50Vrms 1min  
Acceptable Lead length: 5.6~7.5/0.220''~0.295''



6Pin Acceptable Lead Dia.  $\phi 0.35 \sim 0.21 / \phi 0.0137'' \sim 0.0083''$

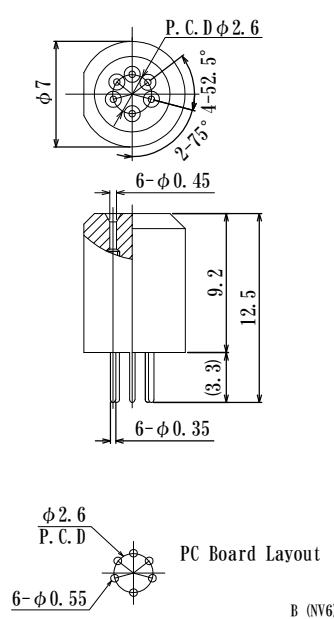
### LD240P-6P-F7L185-BK

Acceptable Lead length: 4.65~13.0/0.183''~0.512''



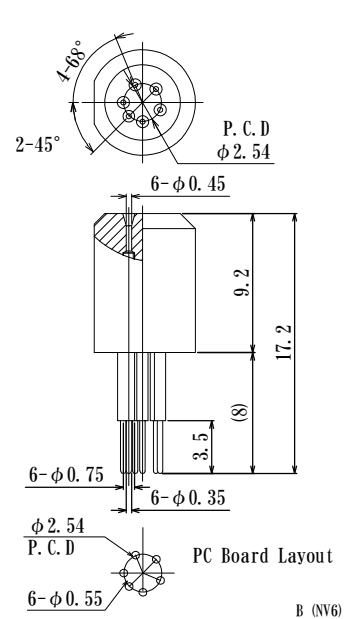
### LD260P-6P-F7L125-BK

Acceptable Lead length: 6.15~7.8/0.242''~0.307''



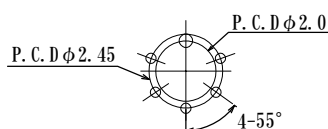
### LD254P-6P-F7L210-BK

Acceptable Lead length: 5.25~12.1/0.207''~0.476''

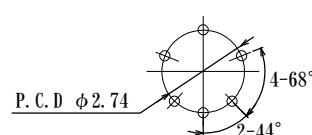


6Pin Acceptable Device Pin Layout Example

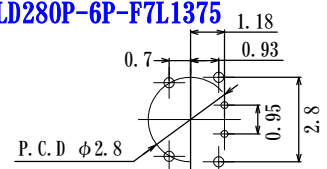
### LD245P-6P-F7L185



### LD274P-6P-F7L125



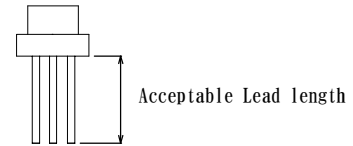
### LD280P-6P-F7L1375



## Custom-Made Socket for Laser Diode

"Acceptable Lead length" described on this page is the dimension of the lead part of laser diode. (Refer the figure below)

Our Custom-Made Socket for Laser Diode accommodates special demand of pin arrangement and pin diameter. Please feel free to contact us for more information.  
Sockets on this page are examples of custom-made sockets.



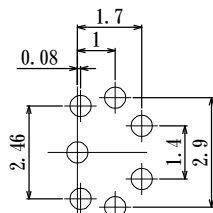
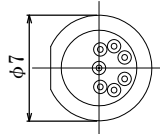
7Pin Various acceptable Lead dia.

### LD-7P-F7L150

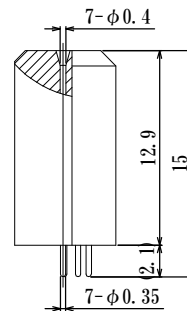
Dielectric Strength: AC50Vrms 1min

Acceptable lead dia.  
 $\phi 0.21 \sim 0.35 / \phi 0.0083'' \sim 0.0137''$

Acceptable Lead length:  
 $8.0 \sim 9.88 / 0.315'' \sim 0.389''$



Device Pin Layout  
(Top View)



M (NV6)

### LD280P-7P-F7L1375

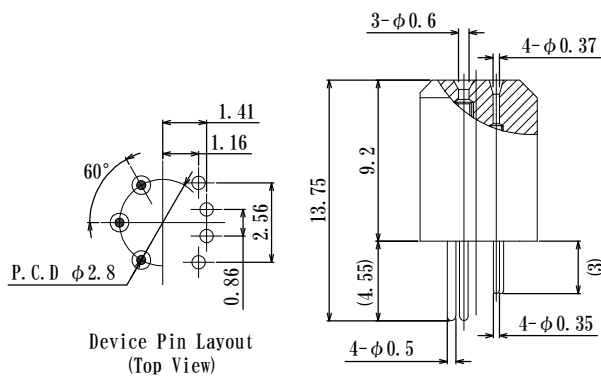
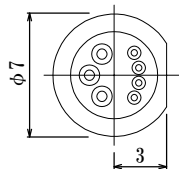
Dielectric Strength: AC50Vrms 1min

Acceptable lead dia. :

$\phi 0.21 \sim 0.35 / \phi 0.0083'' \sim 0.0138''$   
 $\phi 0.38 \sim 0.55 / \phi 0.0150'' \sim 0.0217''$

Acceptable Lead length:

$\phi 5.92 \sim 6.75 / \phi 0.233'' \sim 0.266''$   
 $\phi 4.88 \sim 7.13 / \phi 0.192'' \sim 0.281''$



Device Pin Layout  
(Top View)

I (NV6, N88)

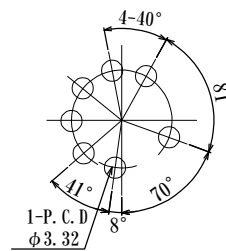
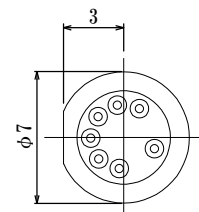
### LD350P-7P-F7L125-BK

Acceptable lead dia. :

$\phi 0.30 \sim 0.35 / \phi 0.0118'' \sim 0.0137''$

Acceptable Lead length:

$\phi 4.15 \sim 7.7 / \phi 0.163'' \sim 0.303''$

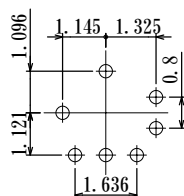


Device Pin Layout  
(Top View)

B (826)

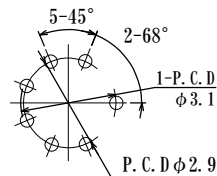
7Pin Device Pin Layout    Acceptable Device Pin Layout Example

### LD-7P-F7L165



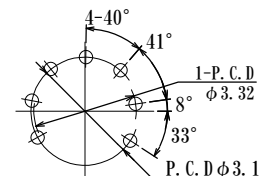
M

### LD310P-7P-F7L185-BK



B

### LD332P-7P-F7L123-BK

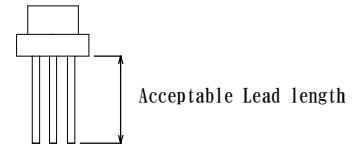


B

## Custom-Made Socket for Laser Diode

Our Custom-Made Socket for Laser Diode accommodates special demand of pin arrangement and pin diameter. Please feel free to contact us for more information.  
Sockets on this page are examples of custom-made sockets.

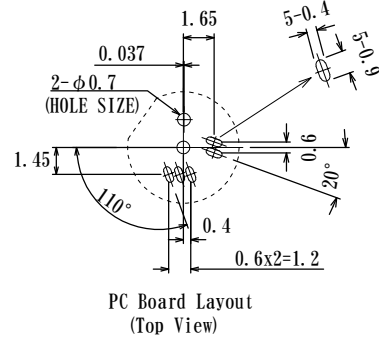
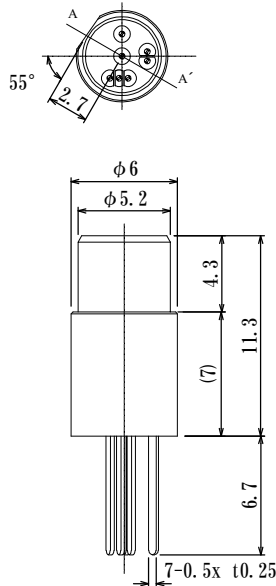
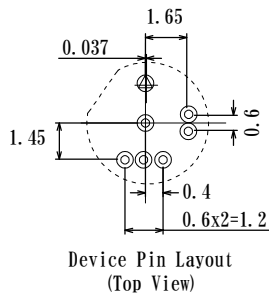
\*Acceptable Lead length\* described on this page is the dimension of the lead part of laser diode. (Refer the figure below)



### LDNP-7P-F6L18-FP

Acceptable lead dia.  
 $\odot \phi 0.15 \sim 0.27 / \phi 0.0059'' \sim 0.0106''$   
 $\ominus \phi 0.15 \sim 0.35 / \phi 0.0059'' \sim 0.0138''$

Acceptable Lead length:  
 $4.5 \sim 8.5 / 0.177'' \sim 0.335''$



\* Please feel free to contact us for more information about PC Board Layout.

I

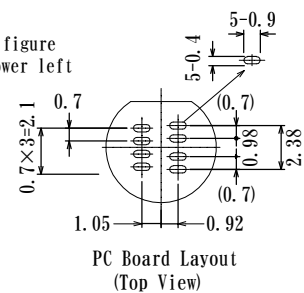
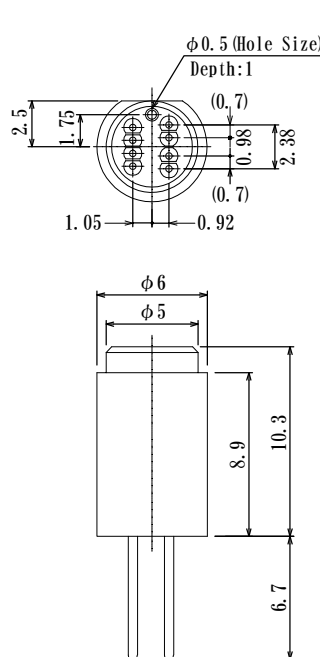
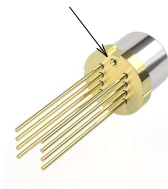
8Pin Acceptable Lead Dia.  $\phi 0.15 \sim 0.35 / \phi 0.0059'' \sim 0.0138''$

### LDNP-8P-F6L10-FP

Acceptable lead dia.  
 $\phi 0.15 \sim 0.35 / \phi 0.0059'' \sim 0.0138''$

Acceptable Lead length:  
 $3.5 \sim 7.5 / 0.138'' \sim 0.295''$

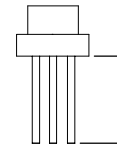
\* Make a hole with a depth of 1 in the socket according to the protrusion of the device.



## Custom-Made Socket for Laser Diode

\*Acceptable Lead length\* described on this page is the dimension of the lead part of laser diode. (Refer the figure below)

Our Custom-Made Socket for Laser Diode accommodates special demand of pin arrangement and pin diameter. Please feel free to contact us for more information.  
Sockets on this page are examples of custom-made sockets.



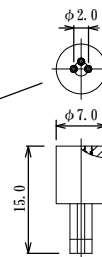
Acceptable Lead length

8~12Pin Device Pin Layout    Acceptable Device Pin Layout Example		
<p><b>8pin</b> <b>LD-8P-F6L1175</b> Acceptable Lead Dia. : <math>\phi 0.40 \sim 0.25 / \phi 0.0157'' \sim 0.0099''</math></p>	<p><b>10pin</b> <b>LD500P-10P-F10L149</b> Acceptable Lead Dia. : <math>\phi 0.54 \sim 0.21 / \phi 0.0213'' \sim 0.0083''</math></p>	<p><b>12pin</b> <b>LD-12P-F14L185</b> Acceptable Lead Dia. : <math>\phi 0.54 \sim 0.3 / \phi 0.0213'' \sim 0.0118''</math></p>

Made of Teflon LD Socket  
Acceptable Lead Dia.  $\phi 0.48 \sim 0.42 / \phi 0.0189'' \sim 0.0165''$

<p><b>3pin</b> <b>DSL-508-3</b> Acceptable Lead length: <math>2.1 \sim 0.083'' \sim</math></p>	<p><b>5pin</b> <b>DSL-508-5</b> Acceptable Lead length: <math>2.1 \sim 0.083'' \sim</math></p>	<p><b>6pin</b> <b>DSL-450-6</b> Acceptable Lead length: <math>2.5 \sim 0.098'' \sim</math></p>
--	--	--

Custom order Cable



DSL-200-3