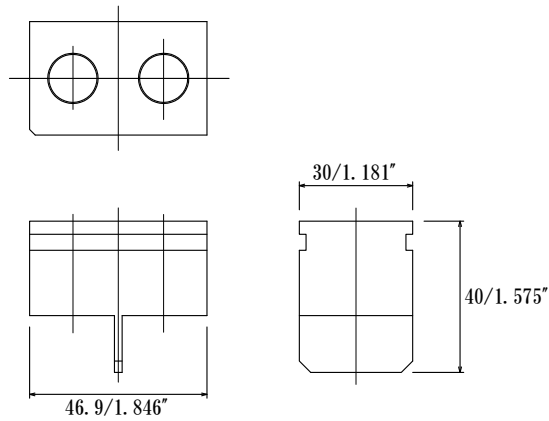


**High Current Module  $\phi 9.1\text{mm}/0.358\text{''}$   
UJC Series**

$\phi 9.1\text{mm}/0.358\text{''}$  module  
Current rating : 120A at 25°C

Insulator P/N  
**UJC-M91X2-T469**



Dielectric strength : 1000V

Please call factory about followings  
Crimping tool + Locator  
Pin Removal too

Socket pin P/N

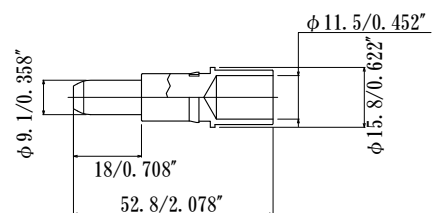
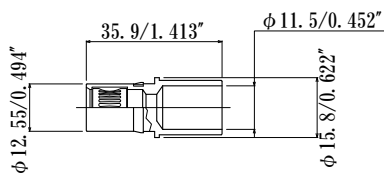
Plug pin P/N

**UJCS91-359LG-CR**

Crimping

**UJCP91-528LG-CR**

Crimping



Gold plating

Gold plating