

Jumper Plug with Spring, 10mm pitch, for $\phi 2.0$ mm Hole

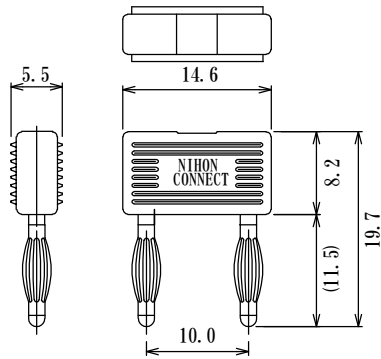
Specifications

Current Rating : 25A max
 Contact Resistance : 2.0m Ω max
 Acceptable Hole Dia. : $\phi 2.0$
 Temperature Range : -30°C ~ +80°C

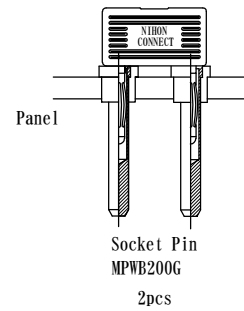
Materials

Contact : Copper Alloy, Au plating over Ni
 Plug pin : Brass, Au plating over Ni
 Insulator: Nylon, Black

UJ10-16.6LX2.3

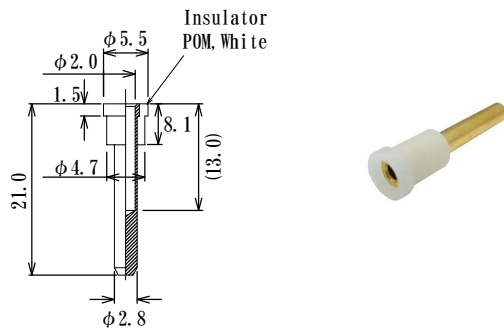


How to use

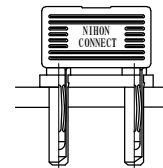
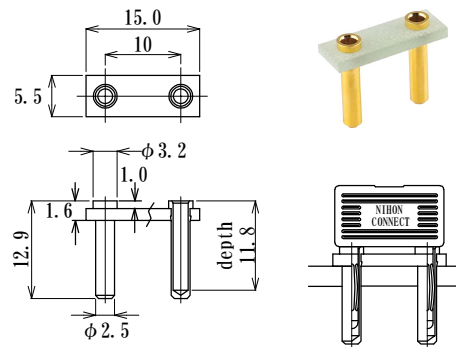


$\phi 2.0$ Hole Socket

MPWB200G



MP2-F2-L129G



Custom made Jumper Plugs

