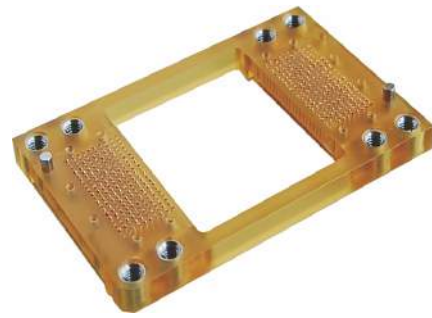


M-pin Probe Assy, Board to Board

- Highly reliable M-pin Probes as contact parts
- Usable for connecting two PCBs
- Available for small and large quantity order
- Replaceable pins



BBMP-□□□□□□□□□□

P/N will be informed after fixing specification.

Material

M-pin probe

Plunger: BeCu, Gold Over Ni plated

Spring : Stainless Steel, Gold over Ni plated

Insulator

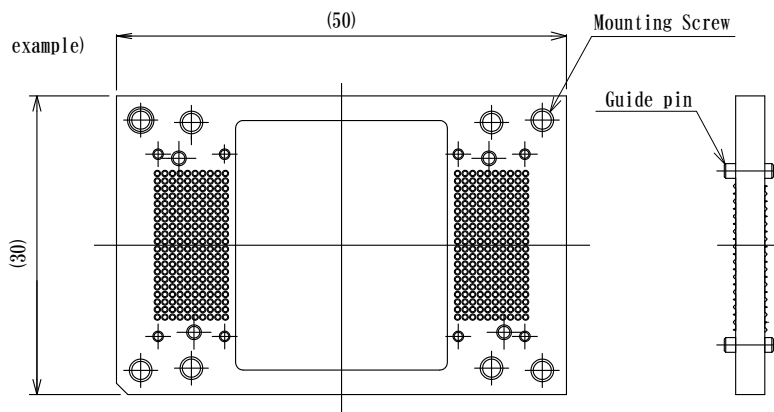
PEI, PEEK etc.

specification

Pitch: 0.4mm~

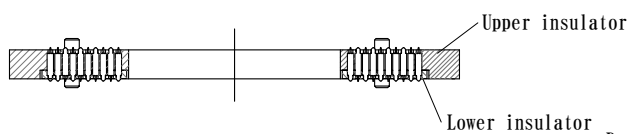
Contact resistance: 50mΩ max

Temperature range: -40℃ ~ +150℃

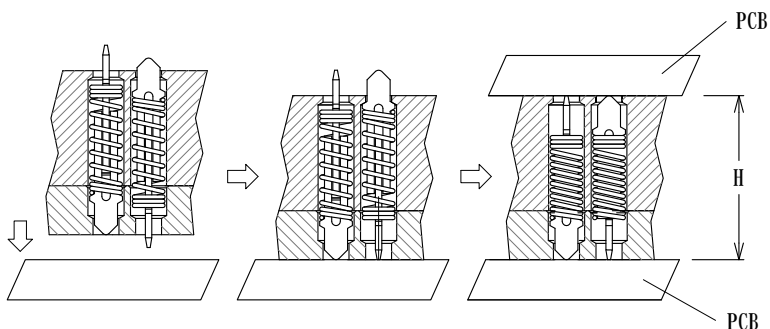


This connector can be used for following PCBs.

- Contact parts are pad.
- Guide holes and mounting screw holes are required for mating.



By removing this insulator, pins are replaceable.



example)

M-pin Probe	P/N	Pitch	H (Reference)
MD77L568R-034N		1mm ~	5.18mm
MD77L445C-034N		1mm ~	3.95mm
MD59L301R-029N		0.8mm ~	2.61mm
MD38L295C-030N		0.5mm ~	2.62mm
MD38L295C-030N		0.4mm ~	2.59mm

Please refer to page 1U2~1U4 (M Pin Probe)