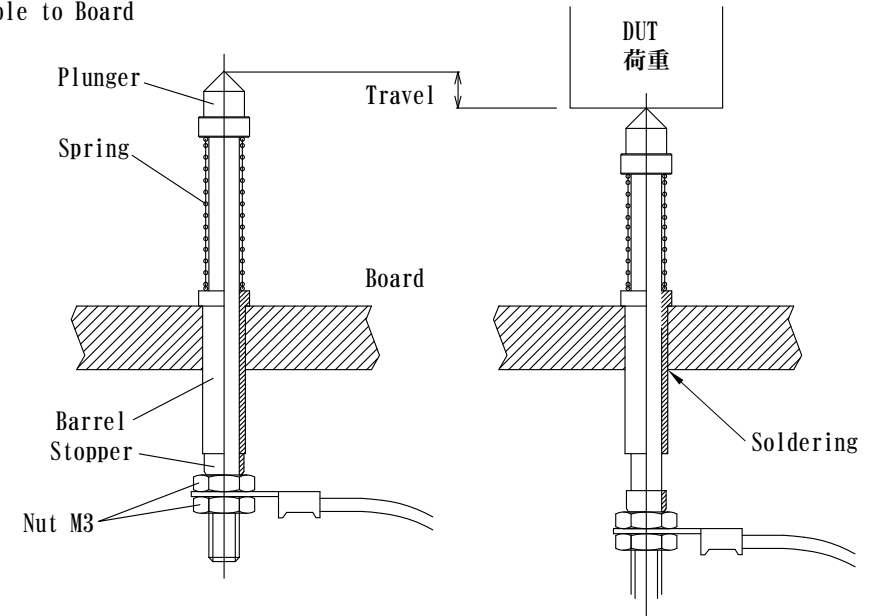


How to assemble to Board
(example)



How to mount	Board mounting hole
Soldering	$\phi 4.3 \pm 0.05$

Spring Force : 9.31N (949gf) at 5.0mm [0.197] travel
 Full Travel : 7.5mm [0.295]
 Current rating :15A

Date	JC ELECTRONICS CORPORATION	
2015/11/09		
Materials Finish	Plunger : Steel, Ni Plated Barrel : Brass, Ni Plated Spring : Stainless Steel, Ni Plated Stopper : Stainless Steel Nut : Stainless Steel	
Dimensions Style	Title	SPRING PROBE
mm [inch]	Part Number	81-F5L485-SPH-E
Third Angle Projection		
Rev. No	0	