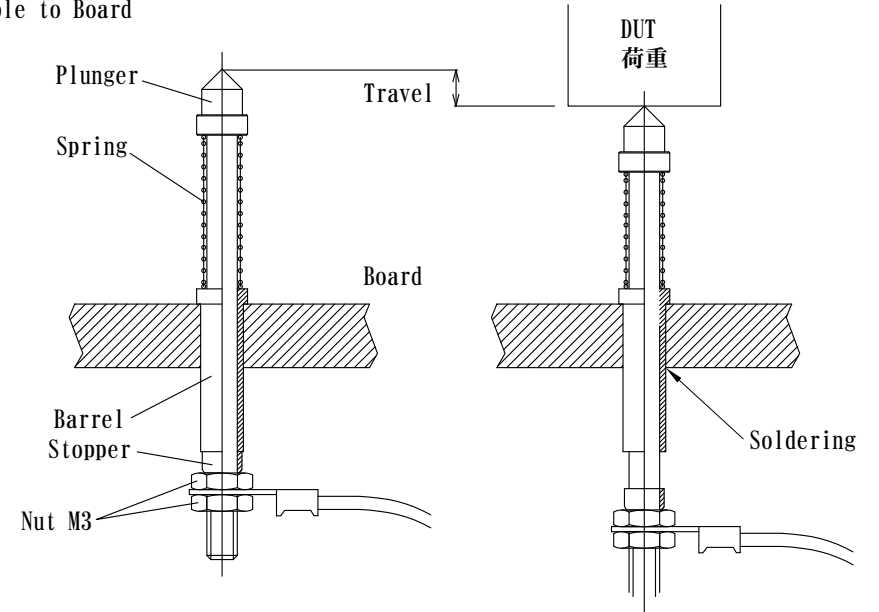


How to assemble to Board
(example)



| | |
|--------------|---------------------|
| How to mount | Board mounting hole |
| Soldering | $\phi 4.3 \pm 0.05$ |

Spring Force : 9.31N (949gf) at 5.0mm [0.197] travel
 Full Travel : 7.5mm [0.295]
 Current rating : 15A

| | | |
|------------------------|--|------------------|
| Date | JC ELECTRONICS CORPORATION | |
| 2015/11/09 | | |
| Materials Finish | Plunger : Steel, Ni Plated Barrel : Brass, Ni Plated Spring : Stainless Steel, Ni Plated Stopper : Stainless Steel Nut : Stainless Steel | |
| Dimensions Style | Title | SPRING PROBE |
| mm [inch] | Part Number | 81-F5L485-C0N1-E |
| Third Angle Projection | | |
| Rev. No | 0 | |