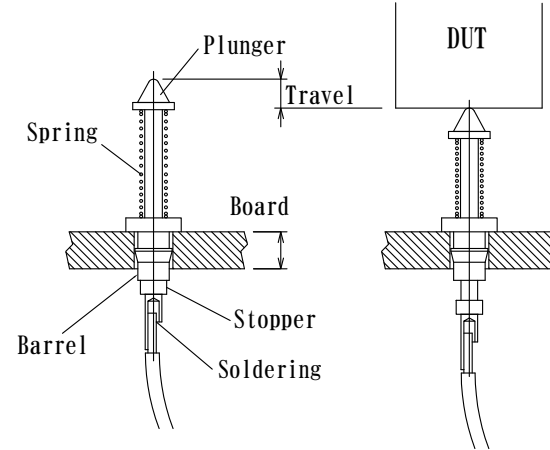
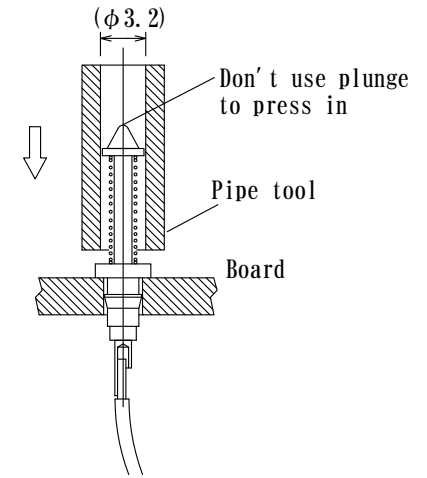


How to assemble to Board
(example)



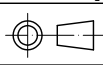
How to press to panel



How to mount	Board thickness	Board mounting hole
Press fitting	2.5mm min	$\phi 2.5 \pm 0.02$
Soldering	3.0mm max	$\phi 2.65 \pm 0.05$

(reference)

Spring Force : 1.57N at 2.6mm [0.102] travel
 Full Travel : 3.4mm [0.133]
 Current rating :5A

Date	JC ELECTRONICS CORPORATION	
2015/04/17		
Materials Finish	Plunger : Brass, Gold over Ni Plated Barrel : Brass, Gold Flash over Ni Plated Spring : Music Wire, Gold Flash over Ni Plated Stopper : Stainless Steel,	
Dimensions Style mm [inch]	Title SPRING PROBE	
 Third Angle Projection	Part Number	
Rev. No	0	81-F3-CI-L195-BSD-E