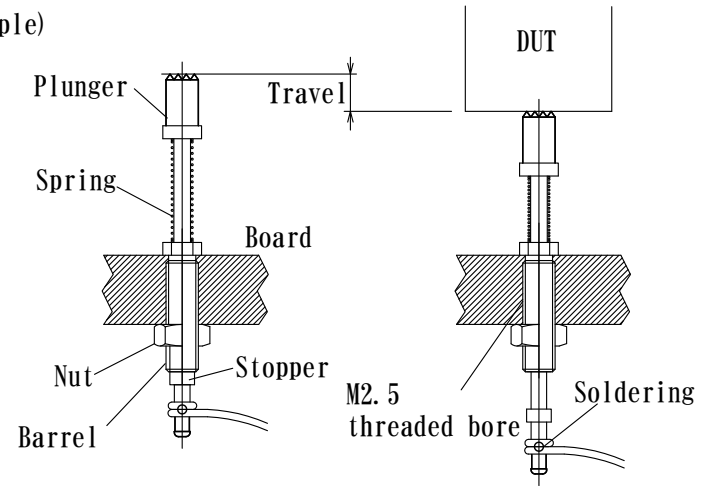
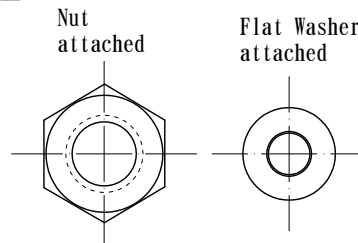
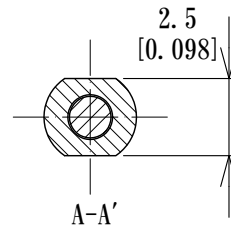


How to assemble to Board (example)



Cable assembly



Accessories

Spring Force : 1.57N at 2.6mm [0.102] travel
 Full Travel : 3.4mm [0.133]
 Current rating :5A

| | | |
|------------------------|--|--------------------|
| Date | JC ELECTRONICS CORPORATION | |
| 2015/04/17 | | |
| Materials Finish | Plunger : Steel, Gold over Ni Plated Barrel : Brass, Ni Plated Spring : Music Wire, Gold Flash over Ni Plated Stopper : Stainless Steel, Nut : Brass, Ni Plated Washer : Stainless Steel, | |
| Dimensions Style | Title | |
| mm [inch] | SPRING PROBE | |
| Third Angle Projection | Part Number | |
| Rev. No | 0 | 81-F3-CR-L280-BR-E |