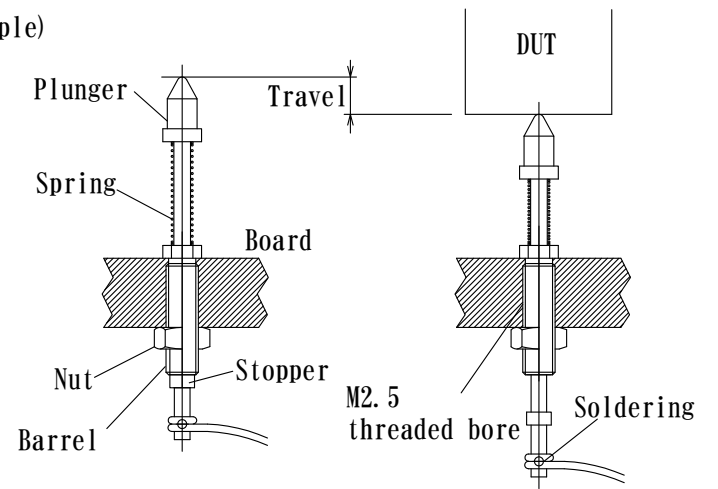


Accessories

How to assemble to Board
(example)



Spring Force : 1.57N at 2.6mm [0.102] travel
 Full Travel : 3.4mm [0.133]
 Current rating :5A

Date		JC ELECTRONICS CORPORATION
2015/04/17		
Materials Finish		Plunger : Brass, Gold over Ni Plated Barrel : Brass, Ni Plated Spring : Music Wire, Gold Flash over Ni Plated Stopper : Stainless Steel, Nut : Brass, Ni Plated Washer : Stainless Steel,
Dimensions Style mm [inch]		Title SPRING PROBE
Third Angle Projection		Part Number
Rev. No	0	81-F3-CI-L280-BR-E