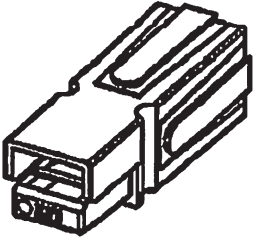


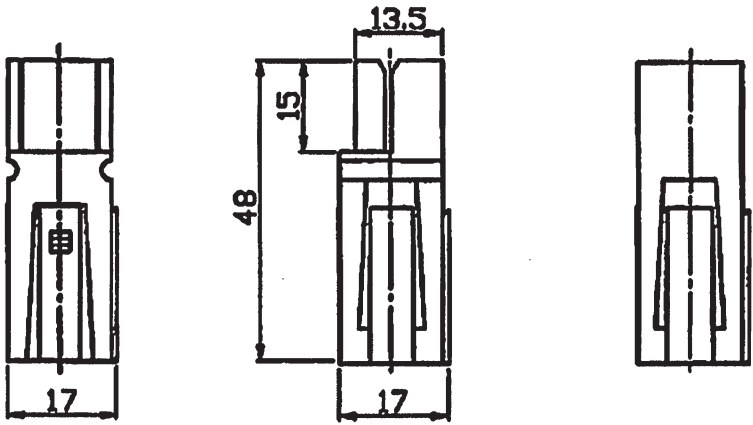
A B C D E F G H

REV DESCRIPTION DATE

| CAT.No       | COLOR  |
|--------------|--------|
| BMC1M-BLACK  | BLACK  |
| BMC1M-BLUE   | BLUE   |
| BMC1M-RED    | RED    |
| BMC1M-WHITE  | WHITE  |
| BMC1M-YELLOW | YELLOW |

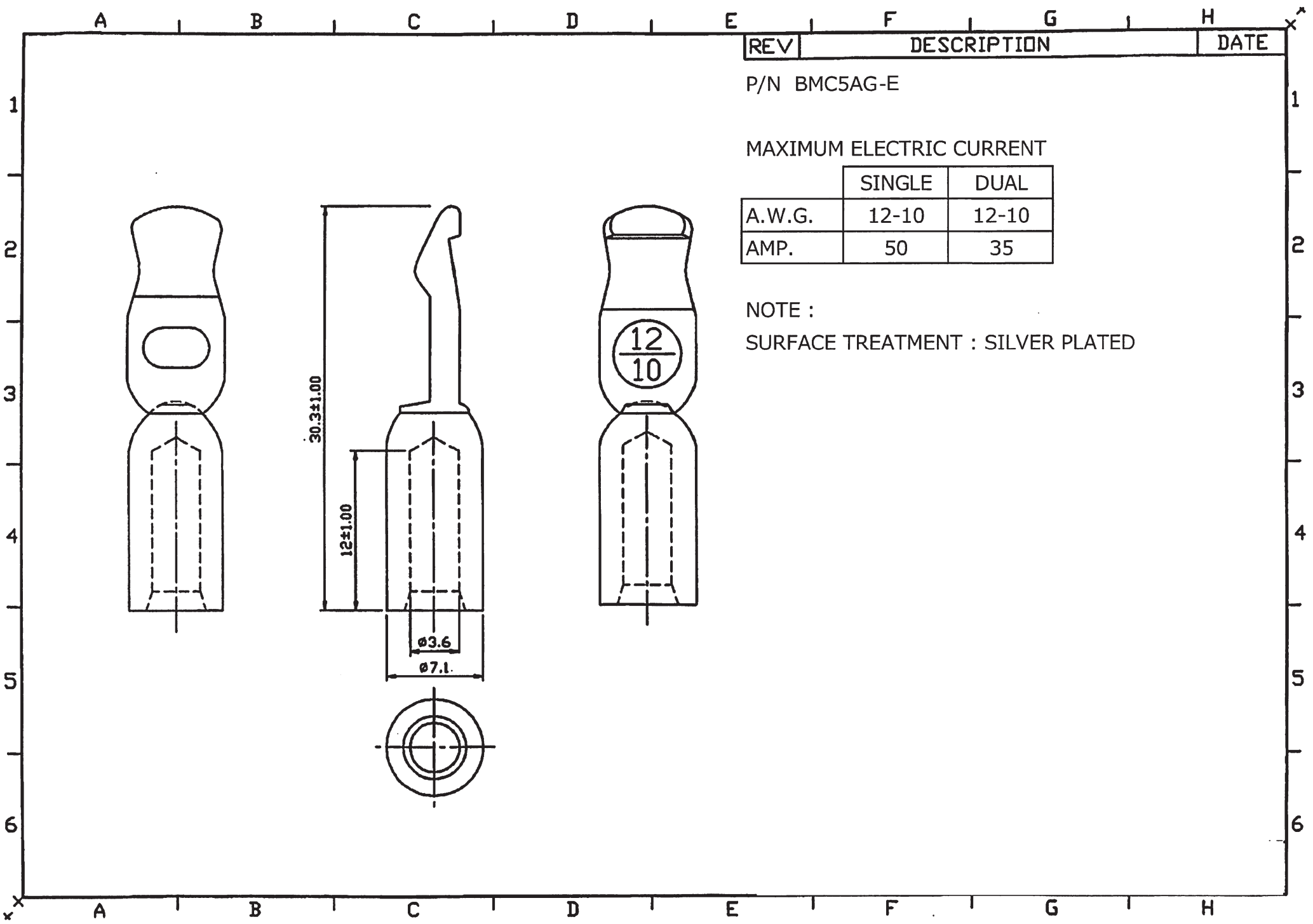


SCALE 1:1



NOTE:  
 1.OPERATING TEMPERATURE RANGE : -20°C~+125°C  
 2.MAXIMUM ELECTRICAL RATING : 600 VOLTS MAX.  
 3.HOUSING ELECTRICAL : POLYCARBONATE(PC)  
 4.SPRING MATERIAL : STAINLESS STEEL

A B C D E F G H



| REV | DESCRIPTION | DATE |
|-----|-------------|------|
|-----|-------------|------|

P/N BMC5AG-E

MAXIMUM ELECTRIC CURRENT

|        | SINGLE | DUAL  |
|--------|--------|-------|
| A.W.G. | 12-10  | 12-10 |
| AMP.   | 50     | 35    |

NOTE :  
SURFACE TREATMENT : SILVER PLATED