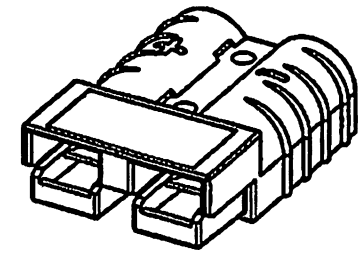
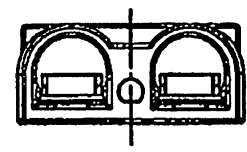
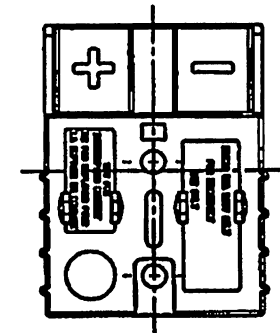
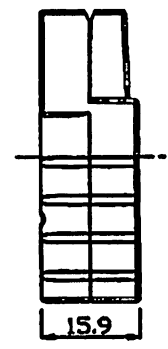
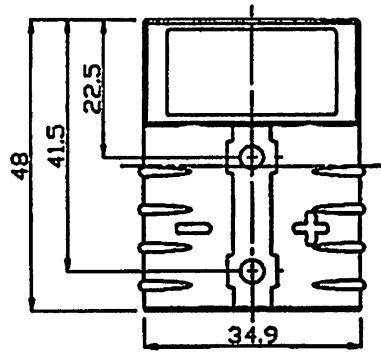


REV	DESCRIPTION	DATE
-----	-------------	------

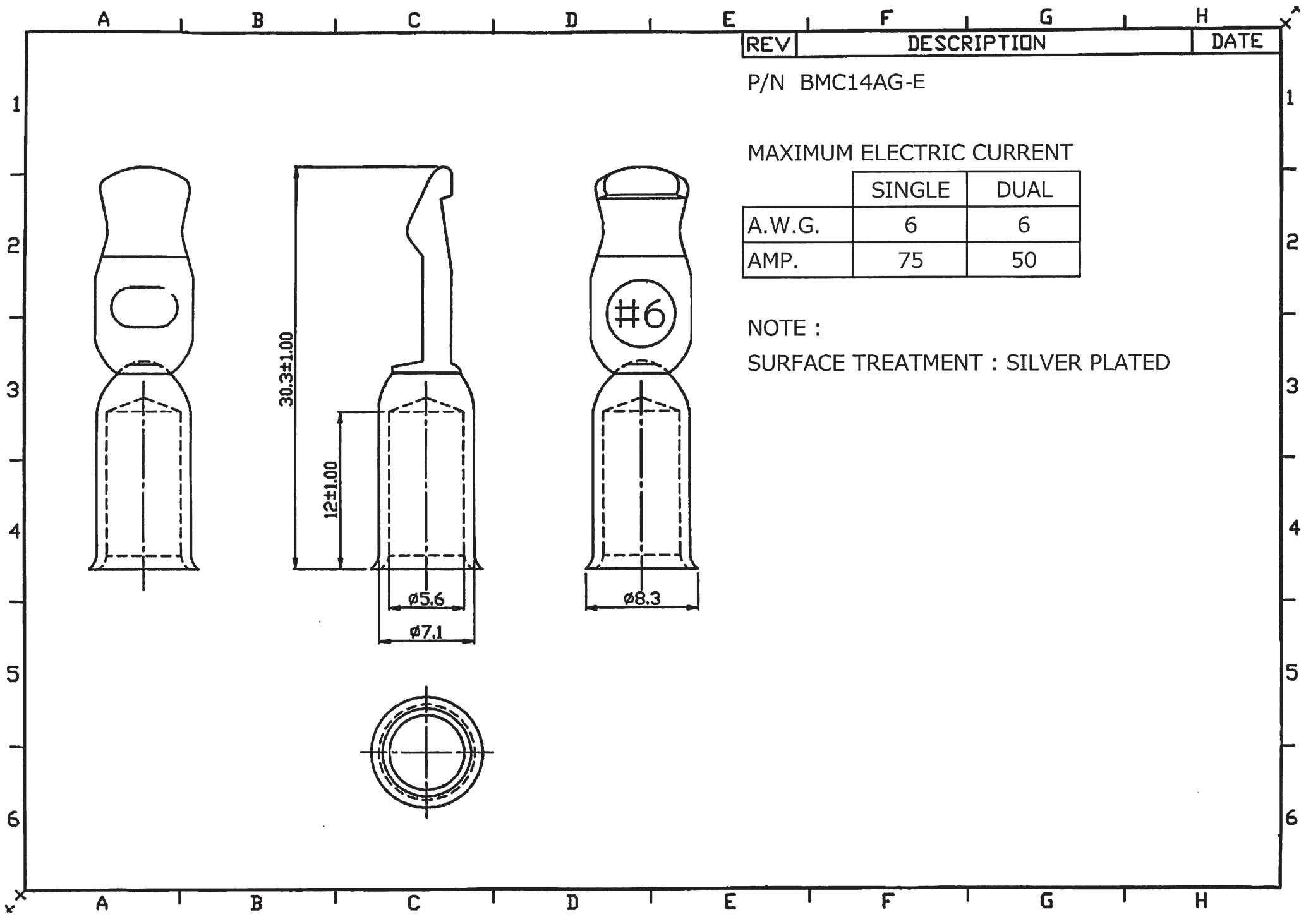


SCALE 1:1



CAT.NO.	COLOR
BMC2S-GRAY	GRAY
BMC2S-RED	RED
BMC2S-ORANGE	ORANGE

NOTE:
 1. OPERATING TEMPERATURE RANGE: -20°C ~ +125°C
 2. MAXIMUM ELECTRICAL RATING: 600 VOLTS MAX.
 3. HOUSING ELECTRICAL: POLYCARBONATE (PC)
 4. SPRING MATERIAL: STAINLESS STEEL



REV	DESCRIPTION	DATE
-----	-------------	------

P/N BMC14AG-E

MAXIMUM ELECTRIC CURRENT

	SINGLE	DUAL
A.W.G.	6	6
AMP.	75	50

NOTE :
SURFACE TREATMENT : SILVER PLATED