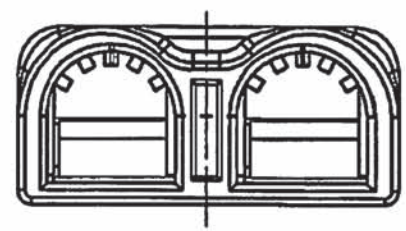


SCALE 1:2

CHART 1



NOTE:
 1.Spring Material : Steel
 2.Housing Material : PC,UL94-0

| CAT.No | COLOR |
|--------------|--------|
| BMC2M-GRAY | GRAY |
| BMC2M-RED | RED |
| BMC2M-YELLOW | YELLOW |

A B C D E F G H

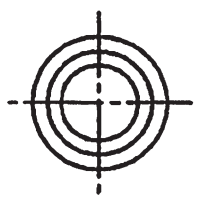
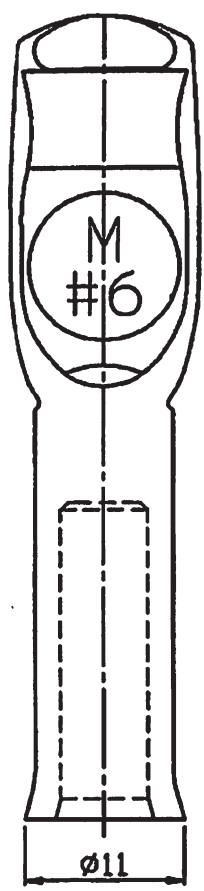
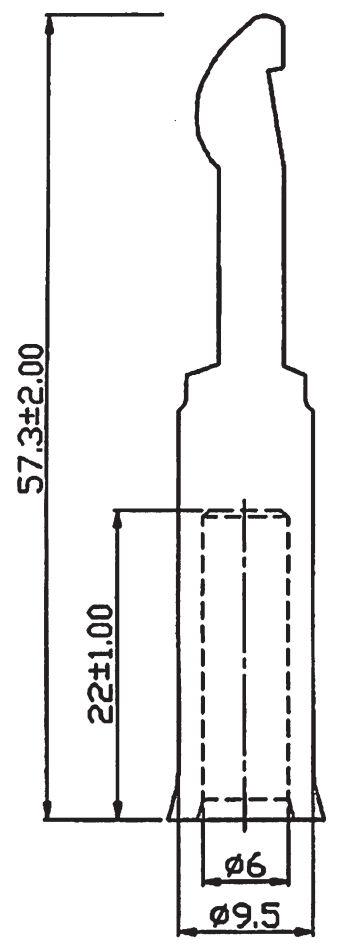
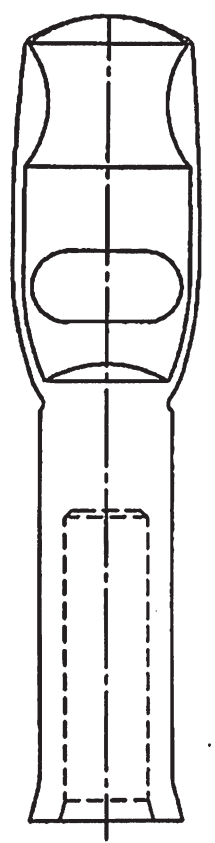
| | | |
|-----|-------------|------|
| REV | DESCRIPTION | DATE |
|-----|-------------|------|

P/N BMCM14AG-E

MAXIMUM ELECTRIC CURRENT

| | SINGLE | DUAL |
|--------|--------|------|
| A.W.G. | - | 6 |
| AMP. | - | 80 |

NOTE :
SURFACE TREATMENT : SILVER PLATED



A B C D E F G H

1
2
3
4
5
6

1
2
3
4
5
6