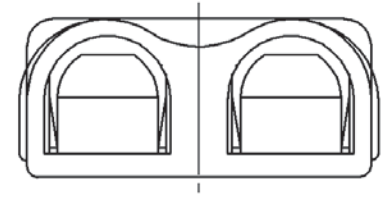
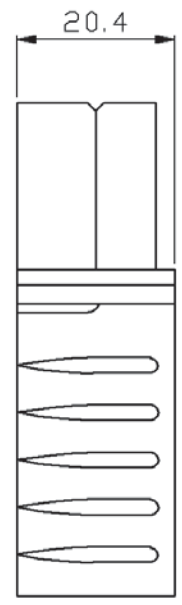
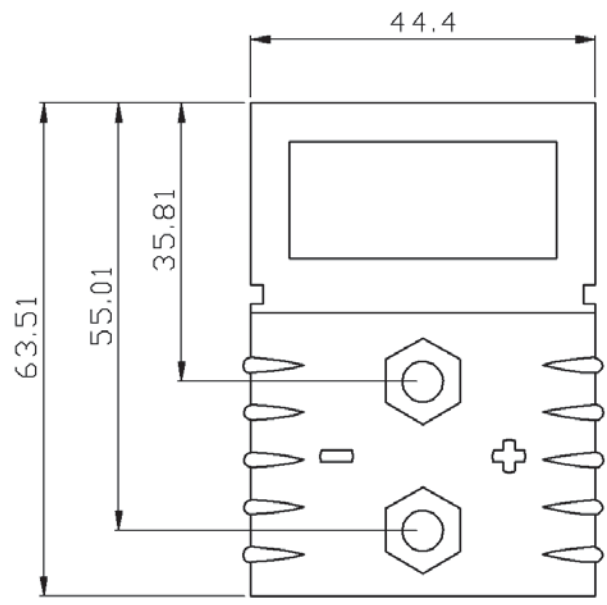
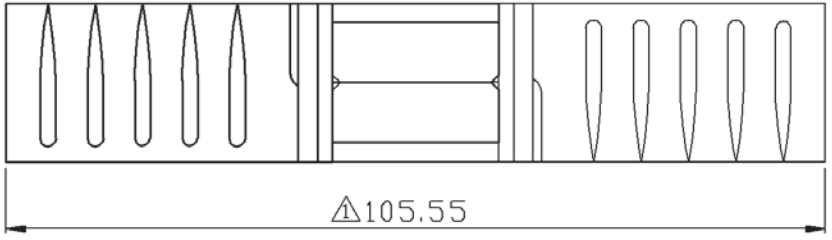
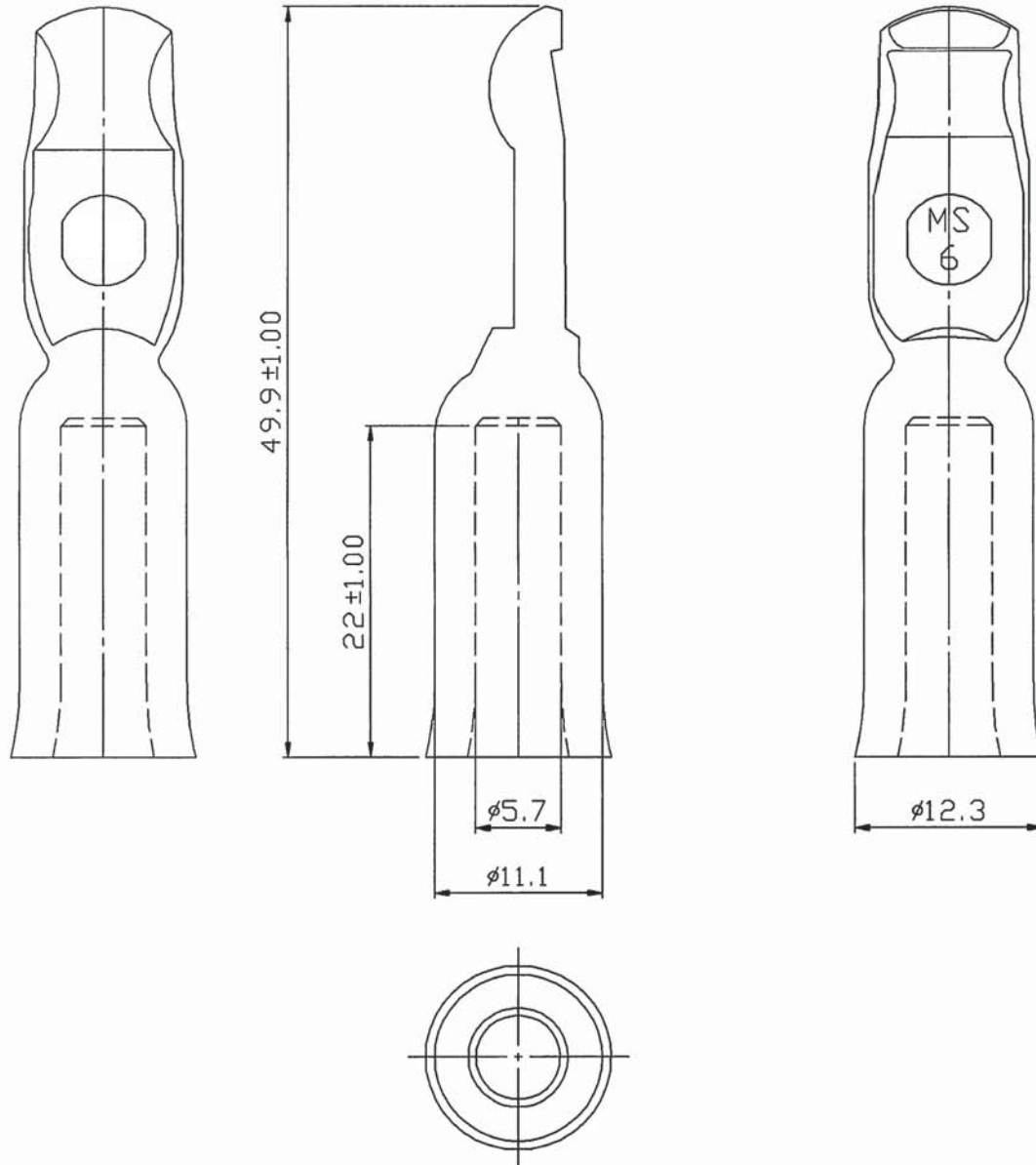


REV	DESCRIPTION	DATE
-----	-------------	------



CAT.No	COLOR
BMC2MS	GRAY



P/N BMCMS14AG

MAXIMUM ELECTRIC CURRENT

	SINGLE	DUAL
A.W.G.	6	6
AMP.	80	80

NOTE :

SURFACE TREATMENT : SILVER PLATED