

SFH Series Socket 1.27mm pitch

[Specifications]

- Voltage Rating : 125V
- Current Rating : 1.0A
- Dielectric Strength : AC125 1min
- Insulation Resistance : 500MΩ min
- Operating Temperature : : -40℃ ~ +105℃

[Material]

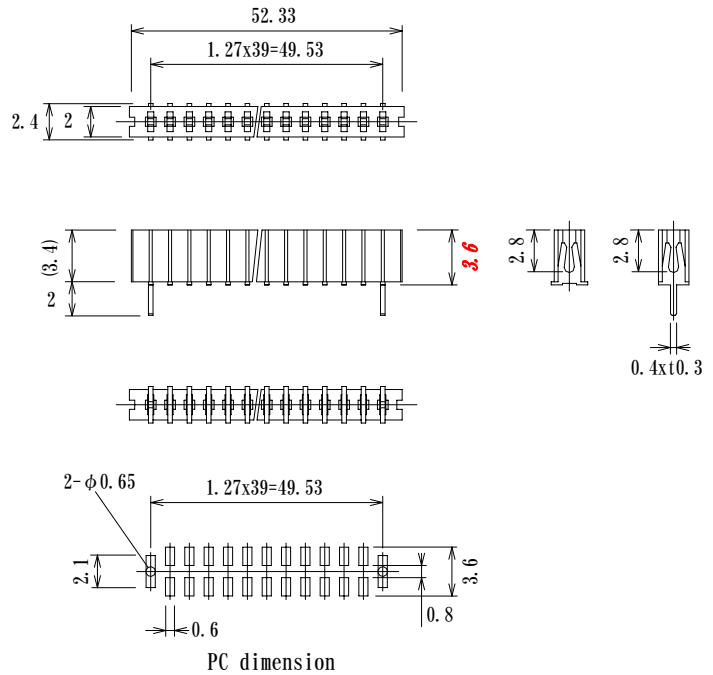
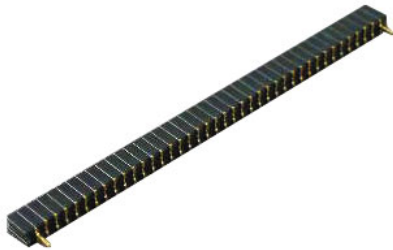
- Socket pin : Copper Alloy
 Gold plating at contact portion
- Insulator : PBT, glass filled or equivalent
 UL94V-0 black

mating plug depth is 2.0mm ~ 2.6mm,
 recommended depth is 2.5mm

SMT type

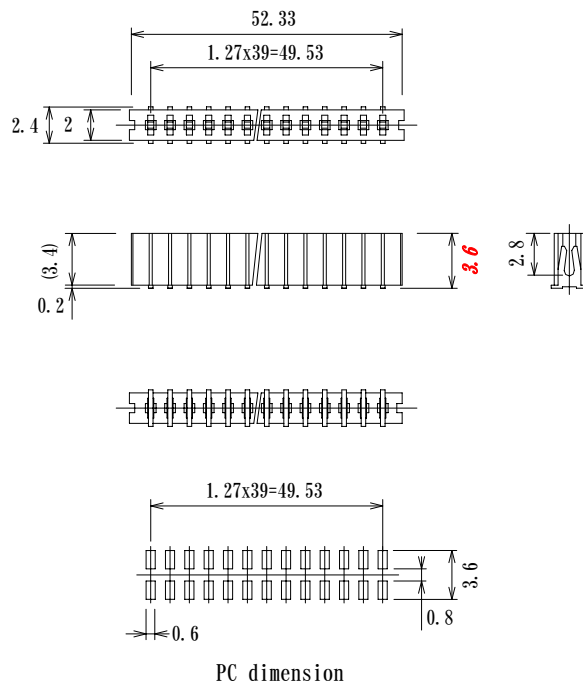
with reinforcement dip soldering
 pins at both ends

SFHY-S40G-T34N



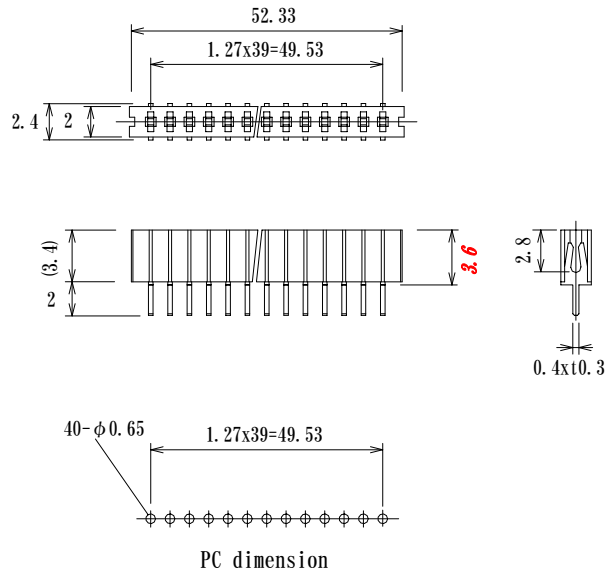
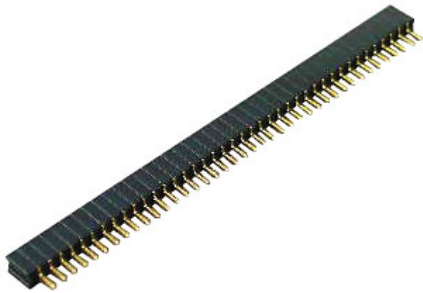
SMT type

SFHM-S40G-T34N



Dip Soldering type

SFH-S40G-T34N

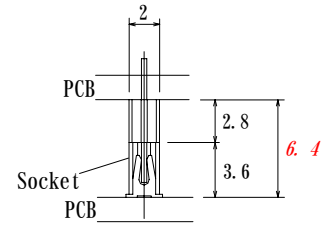
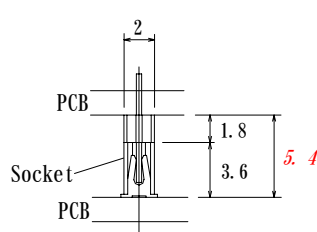


Mating Socket/PCB distance

Please refer to page K11 for information about IPH series plug.

insulator thickness
 T:1.8mm

insulator thickness
 T:2.8mm



IPH Series Plug

1.27mm pitch

- Board-to-Board Connectors
- Enable to use as lead pin for Hybrid IC
- Mating SFH Series Socket

[Specifications]

Voltage Rating : 125V
 Current Rating : 1.0A
 Dielectric Strength : AC250 1min
 Insulation Resistance : 500MΩ min
 Operating Temperature : : -40℃ ~ +105℃

[Material]

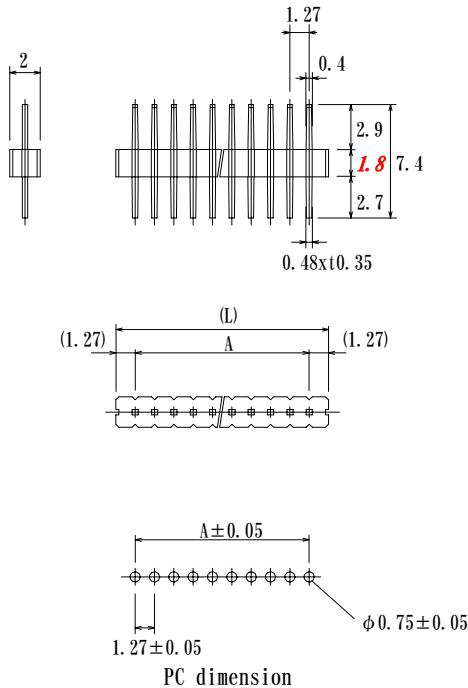
Socket pin : Copper Alloy
 Gold plating at contact portion
 Insulator : PPS or LCP
 UL94V-0 black



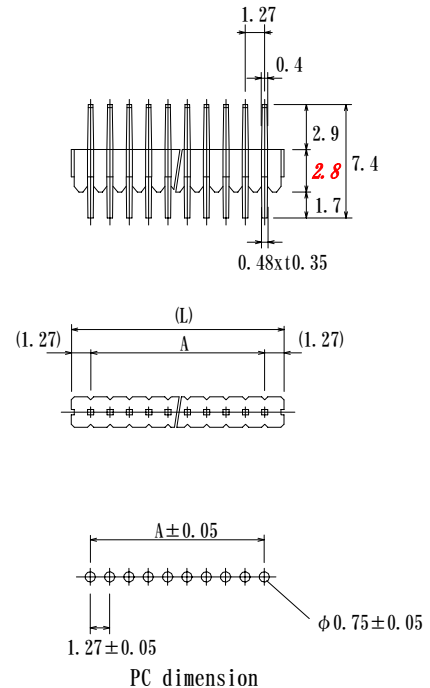
IPH-S40G-G74/29-T18

40 poles max ———
 Au plating over Ni ———
 pin length/ejection length ———
 insulator thickness
 T18:1.8mm
 T28:2.8mm

insulator thickness
 T18:1.8mm



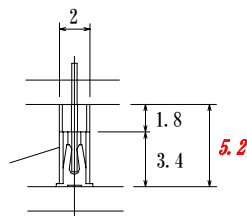
insulator thickness
 T28:2.8mm



Mating Socket/PCB distance

Please refer to page K9 and K10 for information about SFHMY, SFHM, SFH series sockets.

insulator thickness
 T18:1.8mm



insulator thickness
 T:2.8mm

