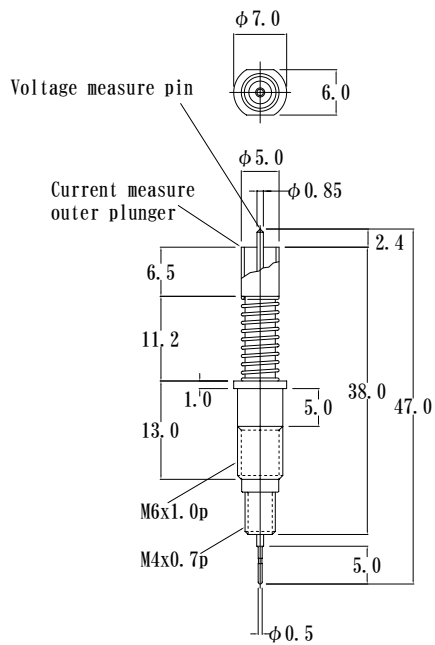


# Kelvin type Probe Pins 81K series



Full travel 6.5mm  
 Preload 1.47N (150gf)  
 Current max 10A at 25°C  
 3.23N (330gf) at 5.0mm travel  
 Durability 50,000 cycles  
 Temperature range -30°C~+150°C

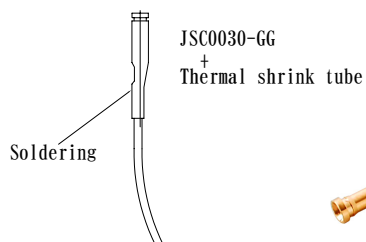
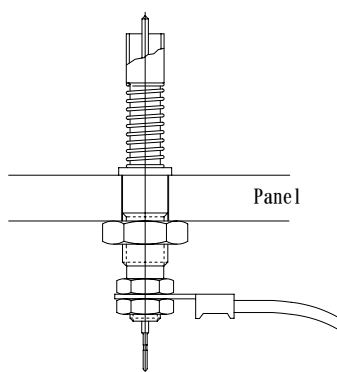


Parts	Material	Finish
Inner Plunger	SK	Au over Ni
Outer Plunger	SK	Au over Ni
Spring coil	Sus	AuF over Ni
Barrel	Brass	AuF over Ni
Stopper	Sus	
Nut M6	Brass	Ni
Nut M4	Brass	Ni

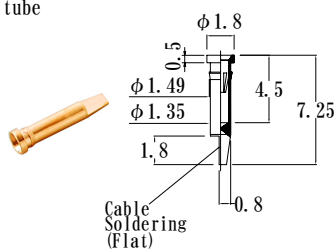


Call us for your custom specification.

## How to mount (example)



## Round Socket pin



**JSC0030-GG**