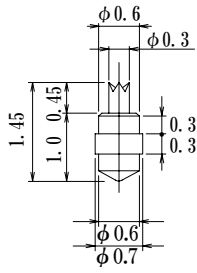


Single ended type  
 Outer Dia.  $\phi 0.50 \sim 0.69\text{mm} / \phi 0.0197'' \sim \phi 0.027''$

Glitter type

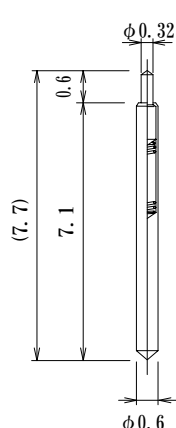
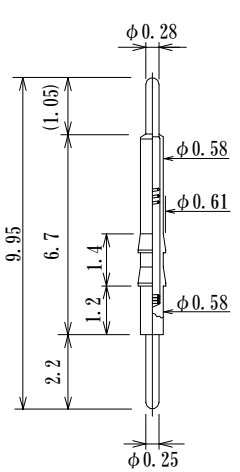
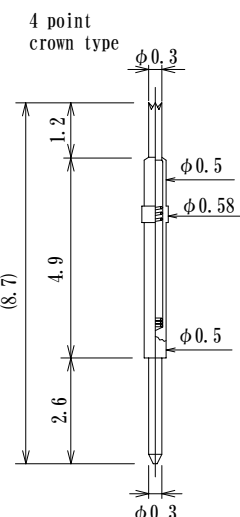


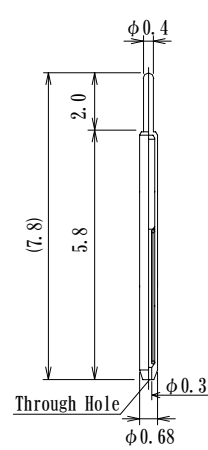
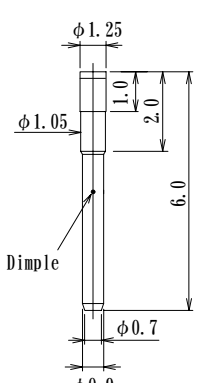
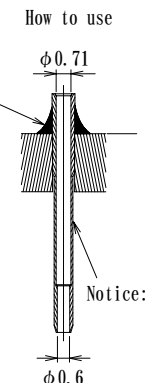
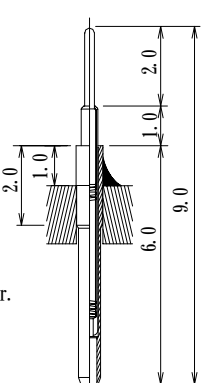
Full travel 0.3mm  
 0.10N(10gf) at 0.25mm travel  
 Initial load 0.04N(4gf)

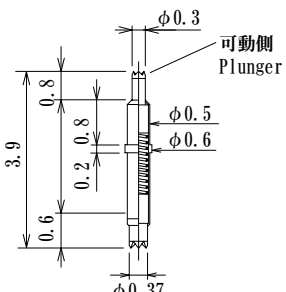

**8YKF70L145-10GI**

Single ended type

Outer Dia.  $\phi 0.50 \sim 0.69\text{mm} / \phi 0.0197" \sim \phi 0.027"$

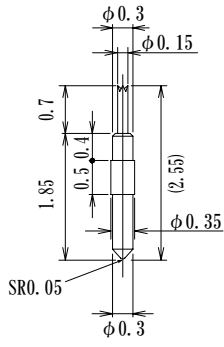
 <p>Full travel 0.5mm 0.3N (30.6gf) at 0.3mm travel</p> <p><b>8YJ-F60L77</b></p>	 <p>Full travel 1.05mm 0.20N (20.4gf) at 0.4mm travel</p> <p><b>8YF-K58L995G</b></p>	 <p>Full travel 1.2mm 0.22N (22.4gf) at 0.5mm travel</p> <p><b>8YF58L87</b></p>
---	---	---

 <p>Preload 4.0gf (0.039N) Full travel 2.0mm Current max 0.5A 0.09N (10gf) at 1.3mm travel</p> <p><b>8YD06878L-SIN-CONR2</b></p>	<p><b>Acceptable Socket</b></p>  <p>Brass, Au plating</p> <p><b>8YF68L78-SOK-SIN-S</b></p>	<p>How to use</p>  <p>Top surface soldering</p> <p>Notice: Do not solder.</p> <p>PCB attachment drawing</p>	 <p>Mate with Diagram</p>
--	--	--	---

<p>上下 4 point crown type</p>  <p>可動側 Plunger</p> <p>Full travel 0.8mm 0.29N (30gf) at 0.65mm travel</p> <p><b>8Y-CR-F06L39-I</b></p>			
---	---	--	--

Single ended type

Outer Dia.  $\phi 0.35/\phi 0.0137''$  or smaller



Full travel 0.6mm  
0.12N (12gf) at 0.5mm travel

**8YFK35L255-12GL**