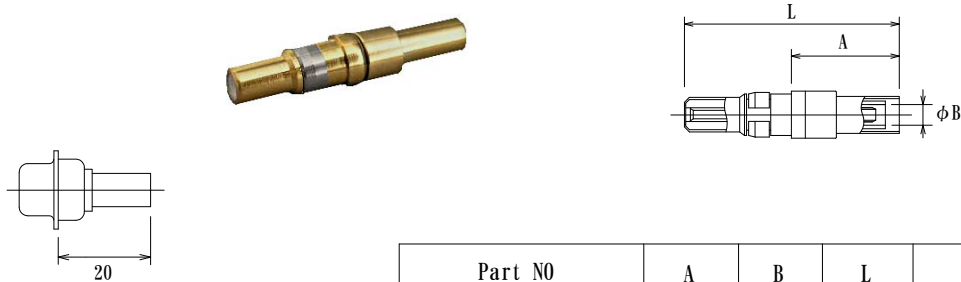


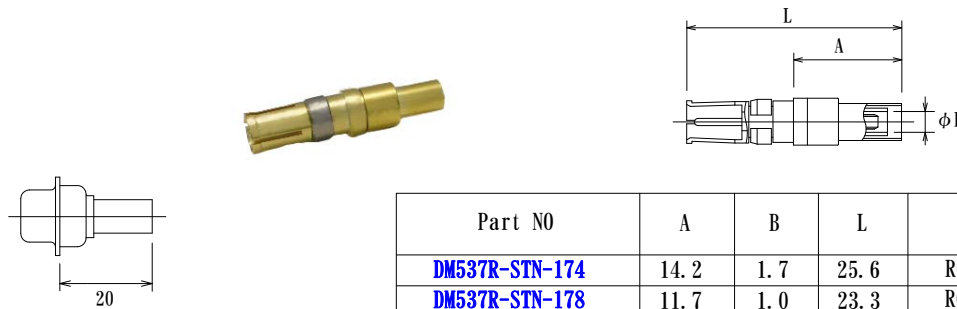
Coaxial Contacts, Solder type

■50Ω Coaxial Straight Plug, Cable type



Part NO	A	B	L	Applicable Cable
DM537P-ST5-174	14.2	1.7	25.6	RG-174/U, RG-179B/U RG-316/U
DM537P-ST5-178	11.7	1.0	23.0	RG-178B/U

■50Ω Coaxial Straight Receptacle, Cable type



Part NO	A	B	L	Applicable Cable
DM537R-STN-174	14.2	1.7	25.6	RG-174/U, RG-179B/U RG-316/U
DM537R-STN-178	11.7	1.0	23.3	RG-178B/U

■75Ω Coaxial Straight Plug, Cable type



Part NO	B	Applicable Cable
DM537P75-ST5-179	1.7	RG-179B/U RG-187A/U

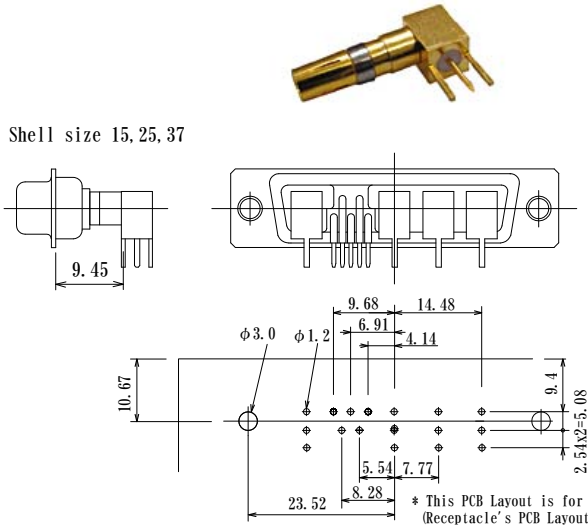
■75Ω Coaxial Straight Receptacle, Cable type



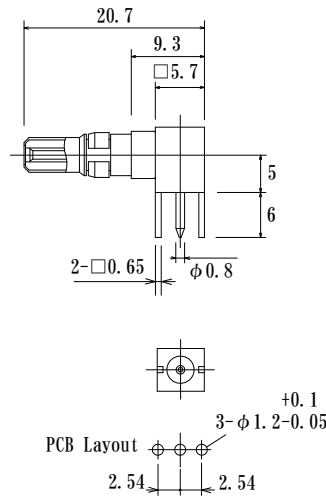
Part NO	B	Applicable Cable
DM537R75-STN-179	1.7	RG-179B/U RG-187A/U

Coaxial Contacts, Solder type

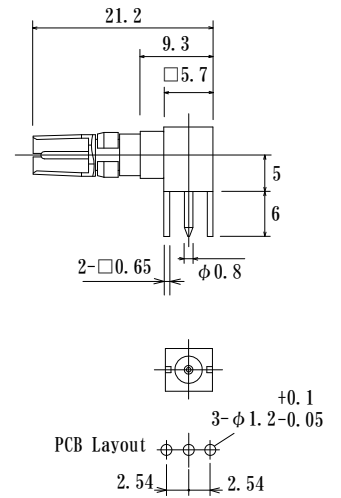
50Ω Coaxial Right Angle Plug, Receptacle, Board mount type



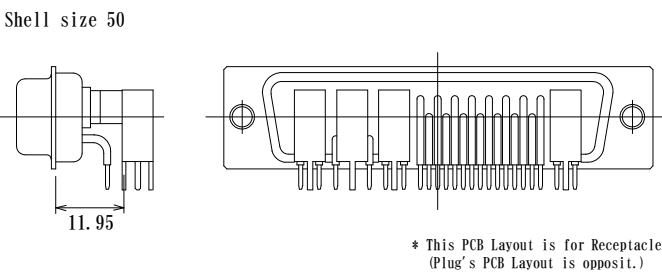
Plug
DM537P-PC-L1



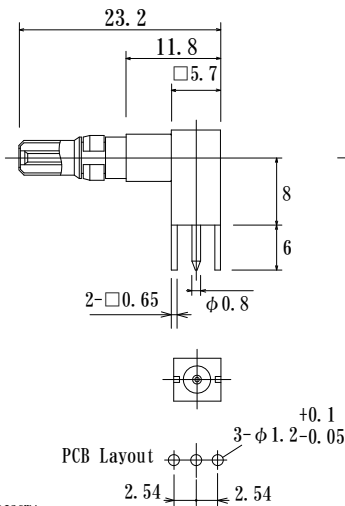
Receptacle
DM537R-PC-L1



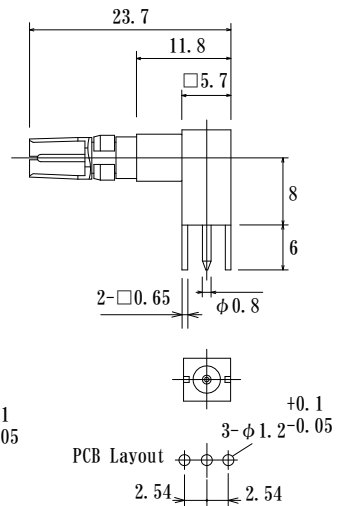
3pin type



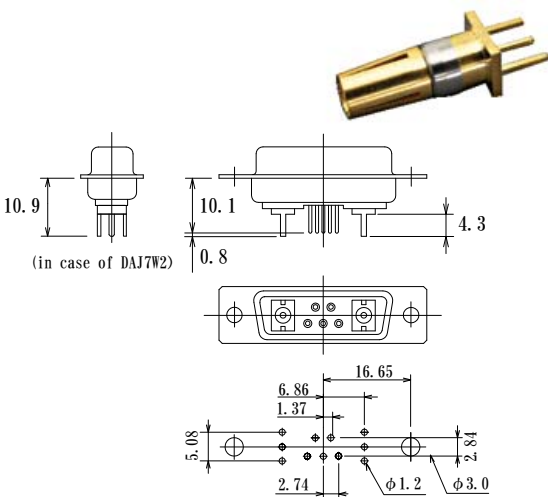
Plug
DM537P-PC-L2



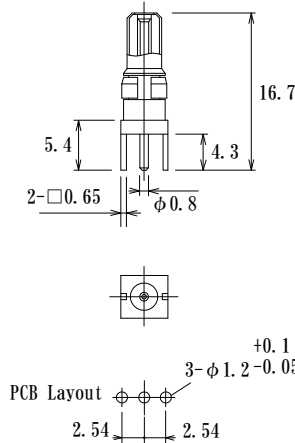
Receptacle
DM537R-PC-L2



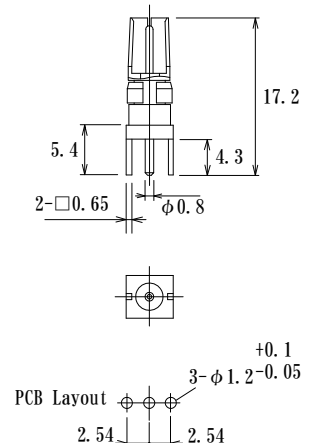
50Ω Coaxial Straight Plug, Receptacle, Board mount type



Plug
DM537P-PC



Receptacle
DM537R-PC



3pin type

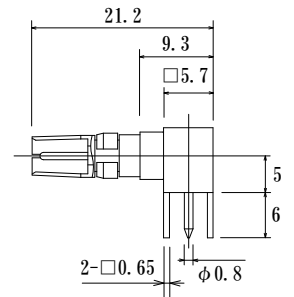
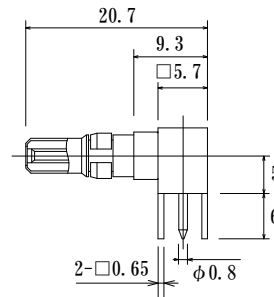
Coaxial Contacts, Solder type

75Ω Coaxial Right Angle Plug, Receptacle, Board mount type

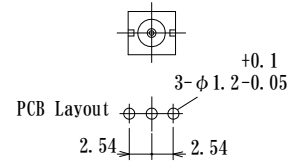
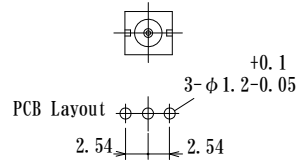
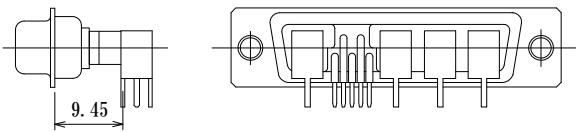


Plug
DM537P75-PC-L1

Receptacle 3pin type
DM537R75-PC-L1

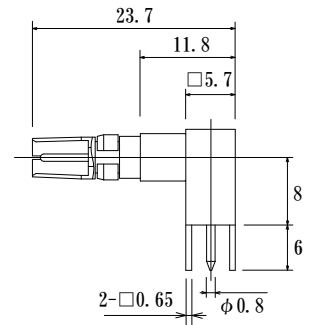
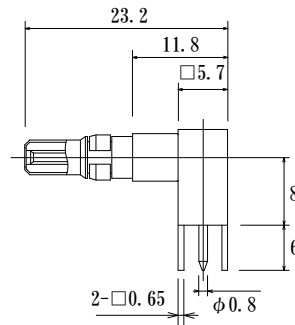


Shell size 15, 25, 37

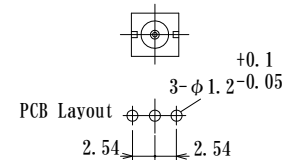
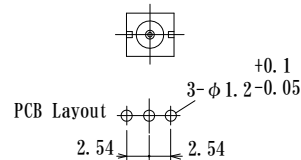
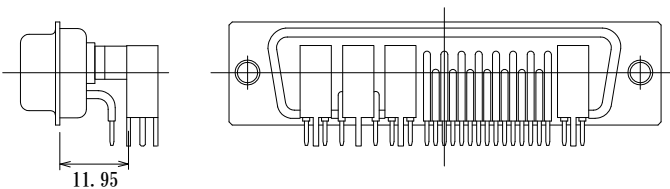


Plug
DM537P75-PC-L2

Receptacle
DM537R75-PC-L2



Shell size 50



75Ω Coaxial Straight Plug, Receptacle, Board mount type



Plug
DM537P75-PC

Receptacle 3pin type
DM537R75-PC

