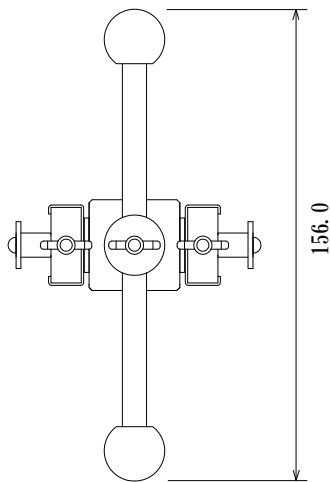
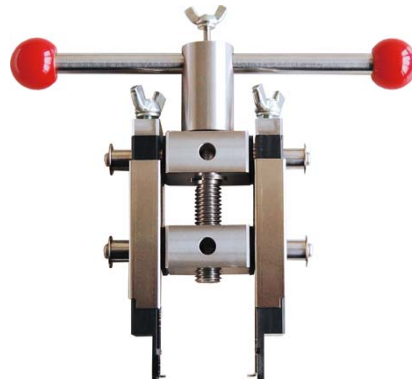
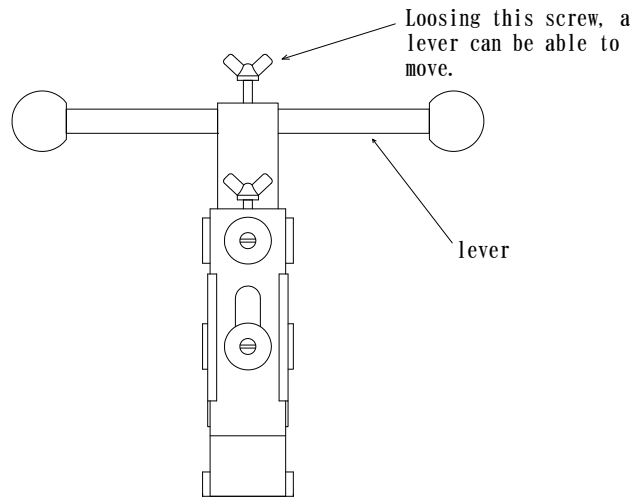


Test Socket Extracting Tool Screw Type

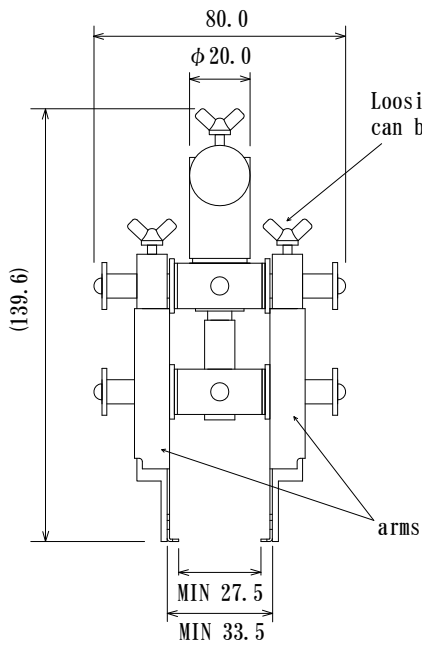
P/N: DH-1778-0144-KYNK



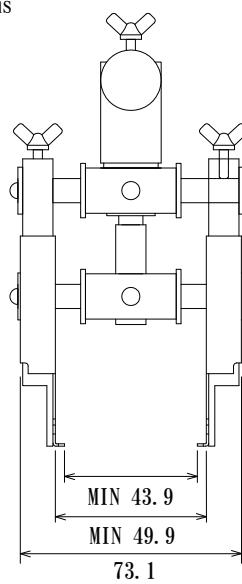
TOP VIEW



SIDE VIEW



FRONT VIEW



FRONT VIEW

- (1) This tool can extract test sockets from adapter sockets without scratch.
- (2) You can customize this tool to fit test sockets.