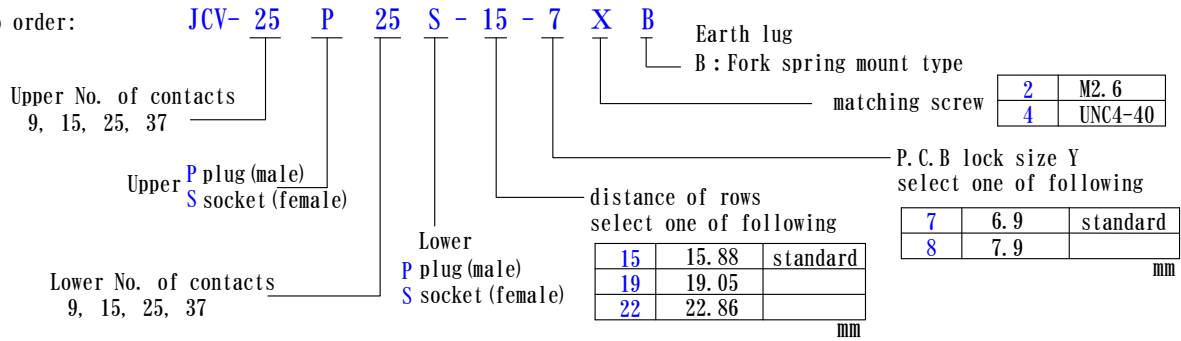


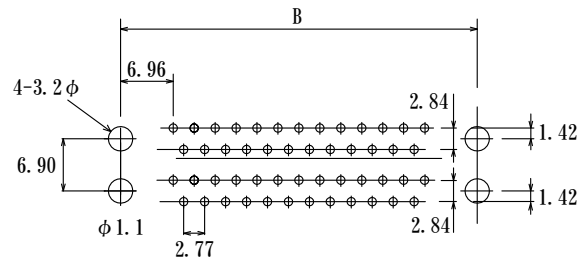
Dsub Dual-port Press Contact Type

How to order:



Common size table

S/N	A	B	C	D
JCV-9□9□-□□-□□B	16.92	25.00	30.81	16.30
JCV-15□15□-□□-□□B	25.25	33.30	39.20	24.60
JCV-25□25□-□□-□□B	38.96	47.00	53.10	38.30
JCV-37□37□-□□-□□B	55.42	63.50	69.40	54.80

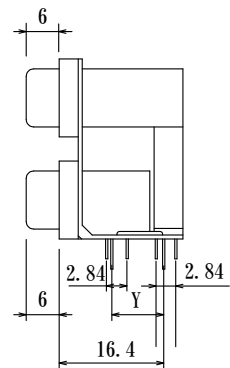
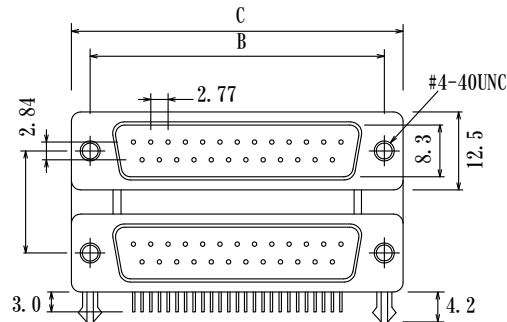


*Please contact us for non-standard stock products

■ Plug & Plug type

- standard type
 *JCV-9P9P-15-7XB
 *JCV-9P9P-15-8XB
 *JCV-15P15P-15-7XB

distance of rows
 15:15.88
 19:19.05
 22:22.86

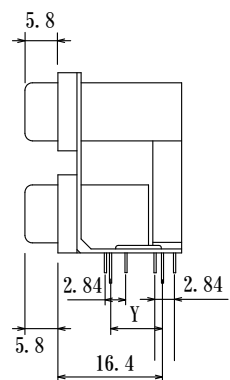
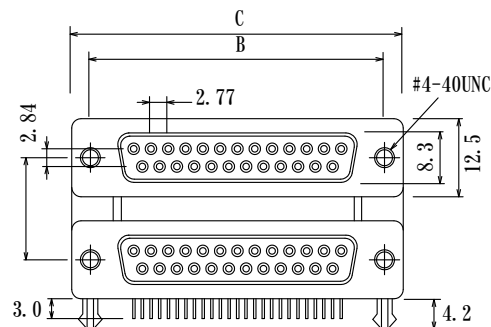


Y=7.0 or Y=8.0

■ Socket & Socket type

- standard type
 *JCV-9S9S-15-7XB
 *JCV-9S9S-19-7XB
 *JCV-9S9S-19-8XB

distance of rows
 15:15.88
 19:19.05
 22:22.86

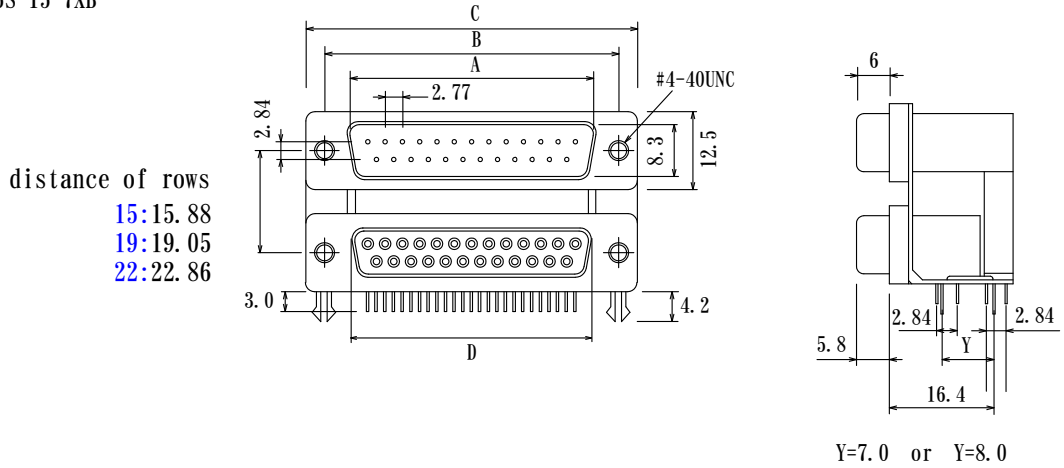


Y=7.0 or Y=8.0

Dsub Dual-port Press Contact Type

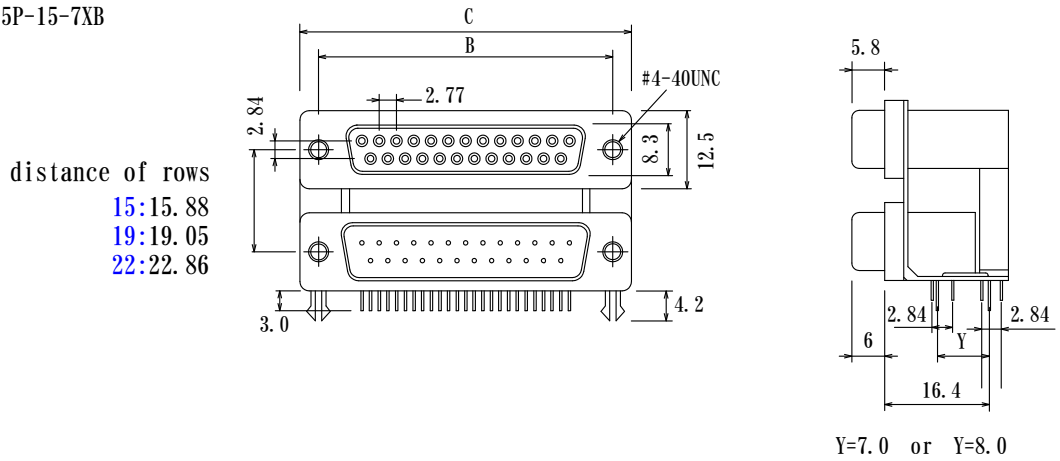
■ Plug & Socket type

standard type
 *JCV-9P9S-15-7XB
 *JCV-15P15S-15-7XB



■ Socket & Plug type

standard type
 *JCV-9S9P-15-7XB
 *JCV-15S15P-15-7XB



Bundled matching screw

2	M2.6
4	UNC4-40

